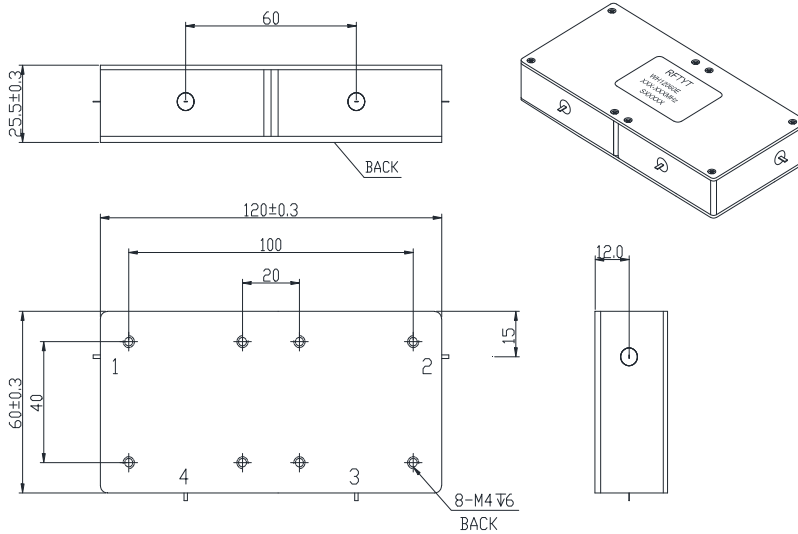


80 to 230MHz Dual Junction Drop in Circulator

WHH12060E Strip line Type

Outline Drawing (mm): 



Features:

- ◇ Good temperature stability
- ◇ Withstand high power
- ◇ RoHS compliant
- ◇ Weight : ≈ g

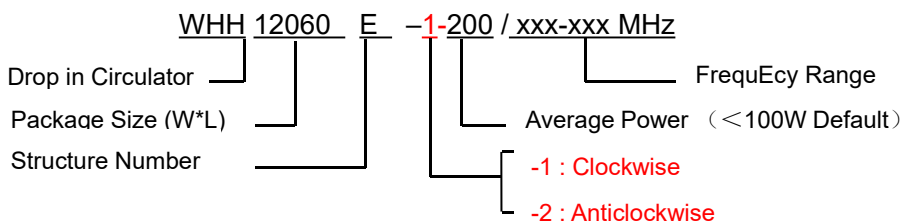
Material list:

- ◇ Shell: Steel
- Coating: Bright Nickel
- ◇ Inner conductor: Brass
- Coating: Silver

Application:

- ◇ Protect WHe power amplifier and Installed at WHe Ed of RF power amplifier
- ◇ Transceiver common antEna
- ◇ Medical,Communication,Security
- VHF

Order Examples:



Connector Type:

S Type Connector Options					N Type Connector Options				
Port 1	Port 2	Port 3	Port 4	Abbreviation	Port 1	Port 2	Port 3	Port 4	Abbreviation
Female	Female	Female	Female	S	Female	Female	Female	Female	N
Female	Male	Male	Male	SKJJJ	Female	Male	Male		NKJJ
Male	Female	Female	Female	SJKKK	Male	Female	Male		NJKJ
Female	Female	Male	Male	SKKJJ	Female	Female	Male		NKKJ
Male	Male	Male	Male	SJ	Male	Male	Male		NJ

Basic Specifications :

Impedance	50 Ω
Connector Type	Strip line
Size(mm)	120.0*60.0*25.5
Operating Temp	-30~+70 $^{\circ}$ C/-40~+85 $^{\circ}$ C
Storage temperature	-50~+90 $^{\circ}$ C

Specifications :

Model No. (X=1: →Clockwise) (X=2: ←Anticlockwise)	Freq. Range MHz	IL dB (max)	Isolation dB (min)	VSWR (max)	Forward Power W
WHH12060E-X/80-120MHz	80-120	2.00	36.0	1.30	150
WHH12060E-X/85-135MHz	85-135	2.20	36.0	1.30	150
WHH12060E-X/87-108MHz	87-108	1.20	40.0	1.25	150
WHH12060E-X/88-138MHz	88-138	2.00	36.0	1.30	150
WHH12060E-X/90-100MHz	90-100	1.00	40.0	1.20	150
WHH12060E-X/98-103MHz	98-103	1.00	40.0	1.20	150
WHH12060E-X/100-130MHz	100-130	1.20	40.0	1.25	150
WHH12060E-X/100-140MHz	100-140	1.60	40.0	1.25	150
WHH12060E-X/100-150MHz	100-150	1.80	36.0	1.30	150
WHH12060E-X/108-112MHz	108-112	1.00	46.0	1.25	150
WHH12060E-X/108-118MHz	108-118	1.00	46.0	1.20	150
WHH12060E-X/108-137MHz	108-137	1.30	40.0	1.25	150
WHH12060E-X/112-132MHz	112-132	1.20	40.0	1.20	150
WHH12060E-X/116-138MHz	116-138	1.20	40.0	1.20	150
WHH12060E-X/118-137MHz	118-137	1.20	40.0	1.20	150
WHH12060E-X/118-161MHz	118-161	1.20	40.0	1.25	150
WHH12060E-X/120-130MHz	120-130	1.00	40.0	1.25	150
WHH12060E-X/130-174MHz	130-174	1.00	40.0	1.25	150
WHH12060E-X/130-180MHz	130-180	1.00	40.0	1.25	150
WHH12060E-X/130-190MHz	130-190	1.20	36.0	1.25	150

WHH12060E-X/135-155MHz	135-155	1.00	40.0	1.20	150
WHH12060E-X/135-175MHz	135-175	1.20	40.0	1.25	150
WHH12060E-X/135-195MHz	135-195	1.20	36.0	1.30	150
WHH12060E-X/136-174MHz	136-174	0.90	40.0	1.25	150
WHH12060E-X/140-148MHz	140-148	0.80	40.0	1.25	150
WHH12060E-X/148-174MHz	148-174	1.00	40.0	1.15	150
WHH12060E-X/150-170MHz	150-170	0.80	40.0	1.20	150
WHH12060E-X/150-200MHz	150-200	1.00	40.0	1.25	150
WHH12060E-X/150-225MHz	150-225	1.20	36.0	1.30	150
WHH12060E-X/153-157MHz	153-157	0.80	46.0	1.20	150
WHH12060E-X/157-159MHz	157-159	0.80	46.0	1.20	150
WHH12060E-X/160-170MHz	160-170	0.80	46.0	1.20	150
WHH12060E-X/165-175MHz	165-175	0.80	46.0	1.20	150
WHH12060E-X/166-172MHz	166-172	0.80	46.0	1.20	150
WHH12060E-X/170-200MHz	170-200	1.00	40.0	1.25	150
WHH12060E-X/170-230MHz	170-230	1.20	40.0	1.25	150
WHH12060E-X/174-230MHz	174-230	1.20	40.0	1.25	150
WHH12060E-X/175-215MHz	175-215	1.00	40.0	1.25	150
WHH12060E-X/180-220MHz	180-220	1.00	40.0	1.25	150
WHH12060E-X/180-230MHz	180-230	1.00	40.0	1.25	150

**If the frequency range you need is not covered in the form.
Please contact us for details.**