

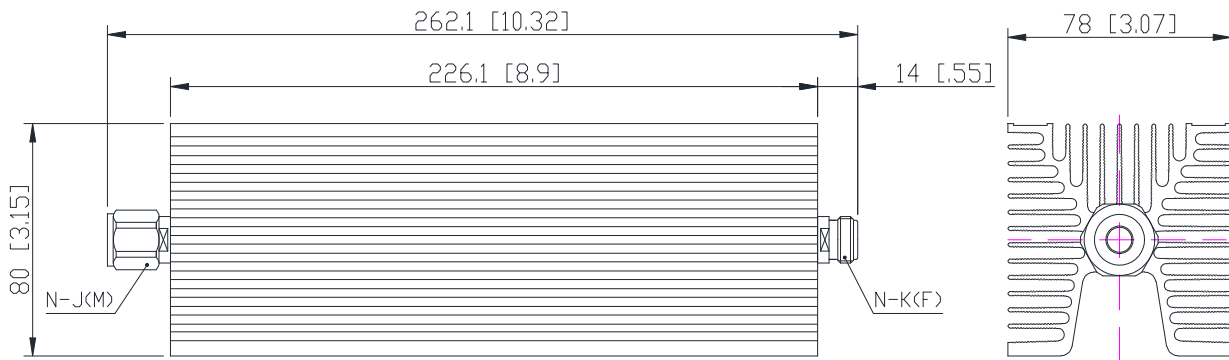
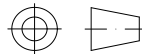


## Coaxial Fixed Attenuator

### Features and Electrical specifications:

Model	RFTXX-200FA8022-N-8 (XX=Attenuator Value)		
Frequency Range	DC~8.0GHz		
VSWR	1.35Max		
Power	200 W		
Impedance	50 Ω		
Attenuation	01-10dB	11-20dB	30、40、50dB
Attenuation Tolerance	±1.0dB	±1.2dB	±1.5dB
Connector	N-J(M)/N-K(F)		
Dimension	78×80×262.1mm		
Operating Temperature	-55 ~ +125°C (See de Power De-rating)		
Weight	About 1.8 Kg		
ROHS Compliant	Yes		

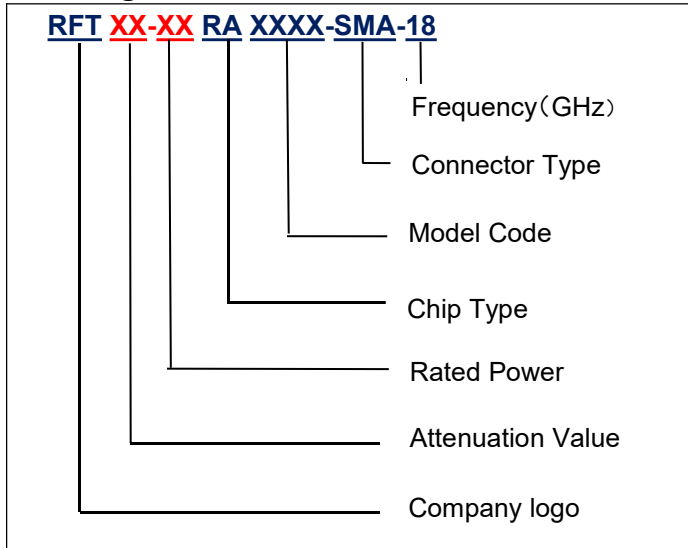
### Outline Drawing (Unit: mm/inch):



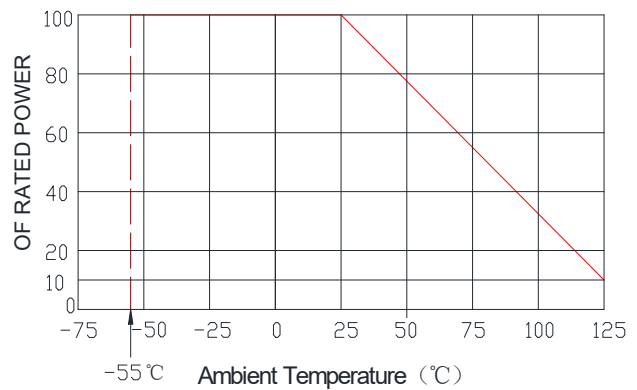
The connector could be SMA,4.3-10, DIN, N MM or FF ,  
or any two can be freely mixed and matched



**Naming rules:**



**Power De-rating:**



**Use attention:**

- 1、 Dimensions Tolerance  $\pm 3\%$ ;
- 2、 If necessary, the product shall be air-cooled for auxiliary heat dissipation ;
- 3、 Custom designs available of other special coaxial fixed attenuator ;
- 4、 Pay attention to the direction of the product during use and strictly prohibit reverse connection.