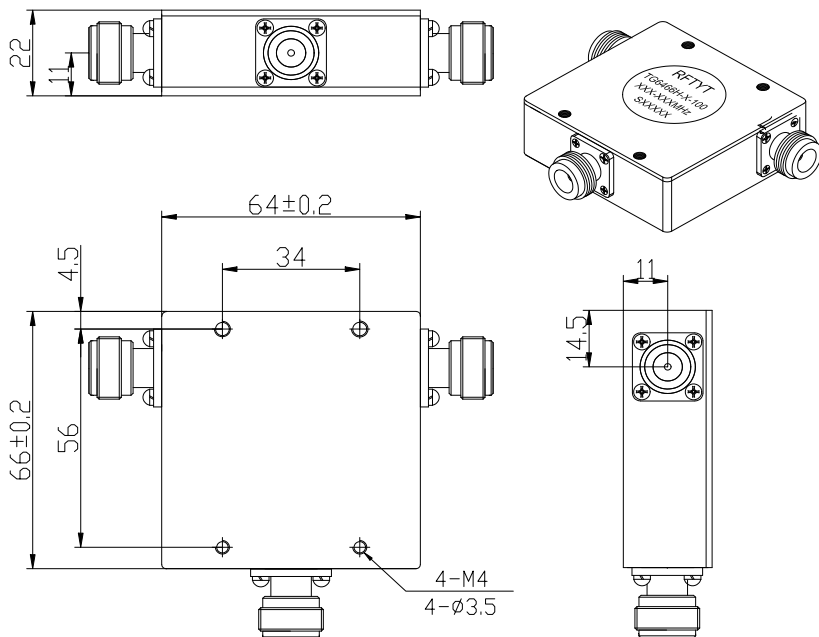
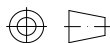




30 to 40MHz Coaxial Circulator

TH6466HN N Type

Outline Drawing (mm):



Features:

- ◇ Good temperature stability
- ◇ Withstand high power
- ◇ RoHS compliant
- ◇ Weight : \approx 325 g

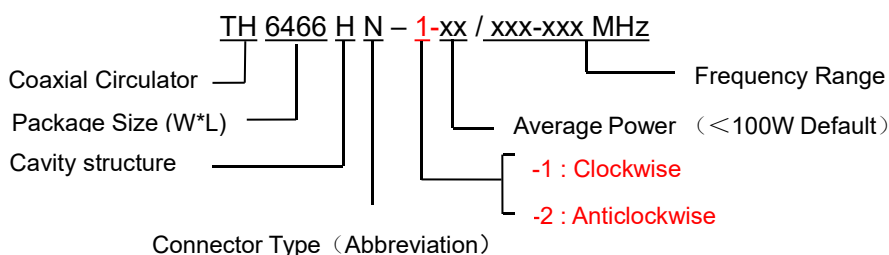
Material list:

- ◇ Shell: aluminum conductive oxidation
- ◇ Inner conductor: silver plated brass
- ◇ Connector housing: brass nickel-plated

Application:

- ◇ Rf amplifier final stage, protect the amplifier
- ◇ Common transceiver antenna
- ◇ Digital communication
- ◇ Satellite communication
- ◇ Mobile communication

Order Examples:



Connector Type:



SMA Type Connector Options				N Type Connector Options			
Port 1	Port 2	Port 3	Abbreviation	Port 1	Port 2	Port 3	Abbreviation
K	K	K	S	K	K	K	N
K	J	J	SKJJ	K	J	J	NKJJ
J	K	J	SJKJ	J	K	J	NJKJ
K	K	J	SKKJ	K	K	J	NKKJ
J	J	J	SJ	J	J	J	NJ



Basic Specifications :

Impedance	50 Ω
Forward Power	100W
Connector Type	N-K
Size(mm)	64.0*66.0*22.0
Operating Temp	-20~+70℃
Storage temperature	-50~+90 ℃

Specifications :

Model No. (X=1: →Clockwise) (X=2: ←Anticlockwise)	Freq. Range MHz	IL. dB (max)	Isolation dB (min)	VSWR (max)	PORWE W
TH6466HN-X/30-31MHz	30.0-31.0	2.0	18.0	1.30	100
TH6466HN-X/31-32MHz	31.0-32.0	1.9	18.0	1.30	100
TH6466HN-X/32-33MHz	32.0-33.0	1.8	18.0	1.30	100
TH6466HN-X/33-34MHz	33.0-34.0	1.8	18.0	1.30	100
TH6466HN-X/34-35MHz	34.0-35.0	1.7	18.0	1.30	100
TH6466HN-X/35-37MHz	35.0-37.0	1.6	18.0	1.30	100
TH6466HN-X/37-39MHz	37.0-39.0	1.6	18.0	1.30	100
TH6466HN-X/39-40MHz	38.0-40.0	1.5	20.0	1.25	100

Instructions :

- 1, The circulator connector can be selected SMA, N, male and female head can be used with the user;
- 2, The circulator only provides through power, indicating that the transmission to the antenna and the antenna to the receiving are through power;
- 3, Only some common frequencies in the table, can be produced according to the user's requirements;
- 4, If you do not find what you are looking for, please contact us!