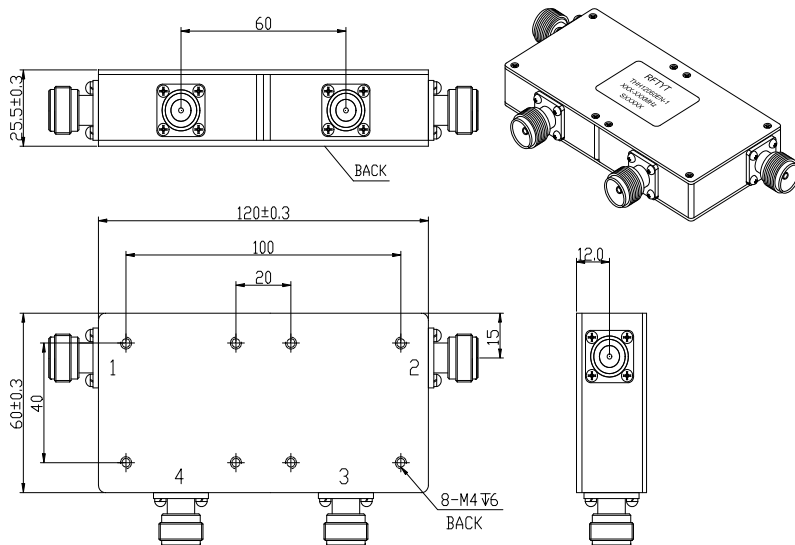


## 80 to 230MHz Dual Junction Coaxial Circulator

THH12060EN N Type

Outline Drawing (mm): 



### Features:

- ◇ Good temperature stability
- ◇ Withstand high power
- ◇ RoHS compliant
- ◇ Weight : ≈ g

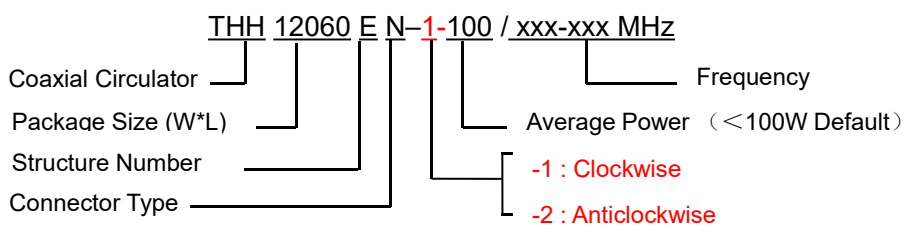
### Material list:

- ◇ Shell: Steel
- Coating: Bright Nickel
- ◇ Inner conductor: Brass
- Coating: Silver

### Application:

- ◇ Protect the power amplifier and  
Installed at the end of RF power amplifier
- ◇ Transceiver common antenna
- ◇ Medical, Communication, Security  
VHF

### Order Examples:



### Connector Type:

SMA Type Connector Options					N Type Connector Options				
Port 1	Port 2	Port 3	Port 4	Abbreviation	Port 1	Port 2	Port 3	Port 4	Abbreviation
SMA-F	SMA-F	SMA-F	SMA-F	S	N-F	N-F	N-F	N-F	N
SMA-F	SMA-M	SMA-M	SMA-M	SKJJJ	N-F	N-M	N-M	N-M	NKJJJ
SMA-M	SMA-F	SMA-F	SMA-F	SJKKK	N-M	N-F	N-F	N-F	NJKKK
SMA-F	SMA-F	SMA-M	SMA-M	SKKJJ	N-F	N-F	N-M	N-M	NKKJJ
SMA-M	SMA-M	SMA-M	SMA-M	SJ	N-M	N-M	N-M	N-M	NJ

**Basic Specifications :**

Impedance	50 $\Omega$
Connector Type	N-F
Size(mm)	120.0*60.0*25.5
Operating Temp	0~+60 $^{\circ}$ C
Storage temperature	-30~+70 $^{\circ}$ C

**Specifications :**

<b>Model No.</b> (X=1: →Clockwise) (X=2: ←Anticlockwise)	<b>Freq. Range</b> <b>MHz</b>	<b>IL</b> <b>dB (max)</b>	<b>Isolation</b> <b>dB (min)</b>	<b>VSWR</b> <b>(max)</b>	<b>Forward Power</b> <b>W</b>
THH12060EN-X/80-120MHz	80-120	2.00	36.0	1.30	150
THH12060EN-X/85-135MHz	85-135	2.20	36.0	1.30	150
THH12060EN-X/87-108MHz	87-108	1.20	40.0	1.25	150
THH12060EN-X/88-138MHz	88-138	2.00	36.0	1.30	150
THH12060EN-X/90-100MHz	90-100	1.00	40.0	1.20	150
THH12060EN-X/98-103MHz	98-103	1.00	40.0	1.20	150
THH12060EN-X/100-130MHz	100-130	1.20	40.0	1.25	150
THH12060EN-X/100-140MHz	100-140	1.60	40.0	1.25	150
THH12060EN-X/100-150MHz	100-150	1.80	36.0	1.30	150
THH12060EN-X/108-112MHz	108-112	1.00	46.0	1.25	150
THH12060EN-X/108-118MHz	108-118	1.00	46.0	1.20	150
THH12060EN-X/108-137MHz	108-137	1.30	40.0	1.25	150
THH12060EN-X/112-132MHz	112-132	1.20	40.0	1.20	150
THH12060EN-X/116-138MHz	116-138	1.20	40.0	1.20	150
THH12060EN-X/118-137MHz	118-137	1.20	40.0	1.20	150
THH12060EN-X/118-161MHz	118-161	1.20	40.0	1.25	150
THH12060EN-X/120-130MHz	120-130	1.00	40.0	1.25	150
THH12060EN-X/130-174MHz	130-174	1.00	40.0	1.25	150
THH12060EN-X/130-180MHz	130-180	1.00	40.0	1.25	150
THH12060EN-X/130-190MHz	130-190	1.20	36.0	1.25	150
THH12060EN-X/135-155MHz	135-155	1.00	40.0	1.20	150



THH12060EN-X/135-175MHz	135-175	1.20	40.0	1.25	150
THH12060EN-X/135-195MHz	135-195	1.20	36.0	1.30	150
THH12060EN-X/136-174MHz	136-174	0.90	40.0	1.25	150
THH12060EN-X/140-148MHz	140-148	0.80	40.0	1.25	150
THH12060EN-X/148-174MHz	148-174	1.00	40.0	1.15	150
THH12060EN-X/150-170MHz	150-170	0.80	40.0	1.20	150
THH12060EN-X/150-200MHz	150-200	1.00	40.0	1.25	150
THH12060EN-X/150-225MHz	150-225	1.20	36.0	1.30	150
THH12060EN-X/153-157MHz	153-157	0.80	46.0	1.20	150
THH12060EN-X/157-159MHz	157-159	0.80	46.0	1.20	150
THH12060EN-X/160-170MHz	160-170	0.80	46.0	1.20	150
THH12060EN-X/165-175MHz	165-175	0.80	46.0	1.20	150
THH12060EN-X/166-172MHz	166-172	0.80	46.0	1.20	150
THH12060EN-X/170-200MHz	170-200	1.00	40.0	1.25	150
THH12060EN-X/170-230MHz	170-230	1.20	40.0	1.25	150
THH12060EN-X/174-230MHz	174-230	1.20	40.0	1.25	150
THH12060EN-X/175-215MHz	175-215	1.00	40.0	1.25	150
THH12060EN-X/180-220MHz	180-220	1.00	40.0	1.25	150
THH12060EN-X/180-230MHz	180-230	1.00	40.0	1.25	150

**If the frequency range you need is not covered in the form.  
Please contact us for details.**