

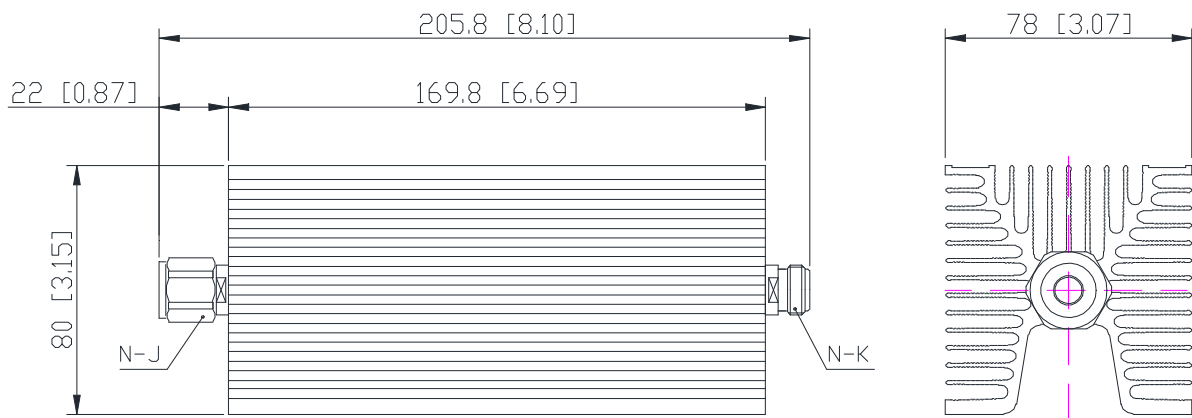


Coaxial Fixed Attenuator

Features and Electrical specifications:

Model	RFTXX-150FA8017-N-6 (XX=Attenuator Value)			
Frequency Range	DC~6.0GHz			
VSWR	1.30Max			
Power	150 W			
Impedance	50 Ω			
Attenuation	01-10dB	11-20dB	21-30dB	40/50dB
Attenuation Tolerance	±0.6dB	±0.8dB	±1.0dB	±1.2dB
Connector	N-J(M)/N-K(F)			
Dimension	78×80x205.8mm			
Operating Temperature	-55 ~ +125°C (See de Power De-rating)			
Weight	About 1.27 Kg			
ROHS Compliant	Yes			

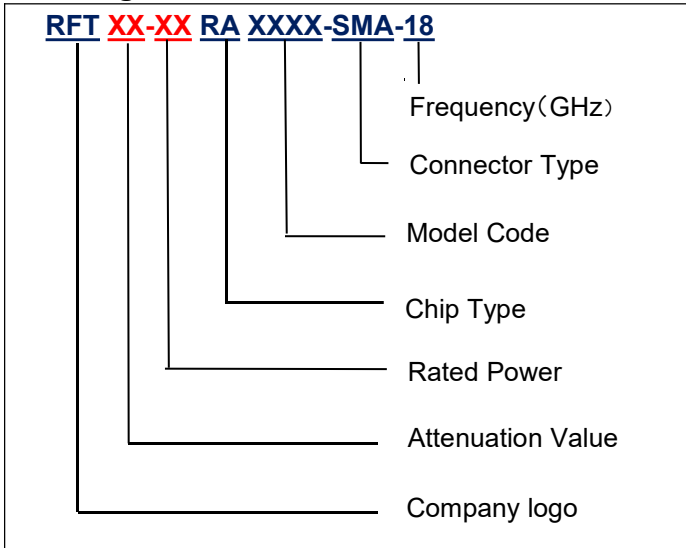
Outline Drawing (Unit: mm/inch):



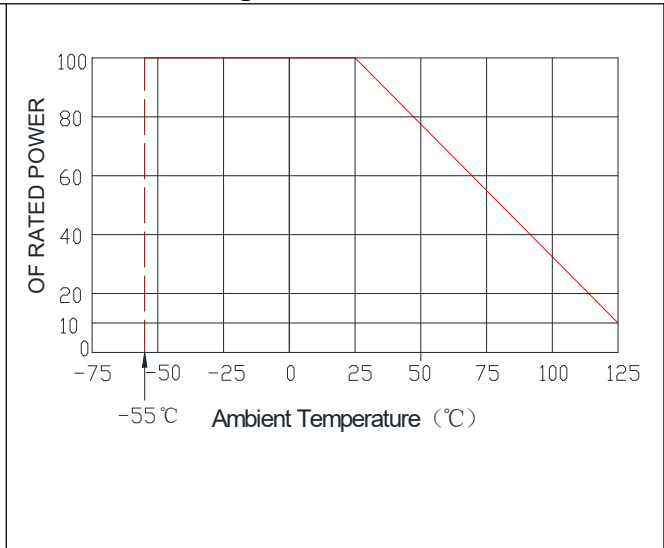
The connector could be SMA,4.3-10, DIN, N MM or FF ,
or any two can be freely mixed and matched



Naming rules:

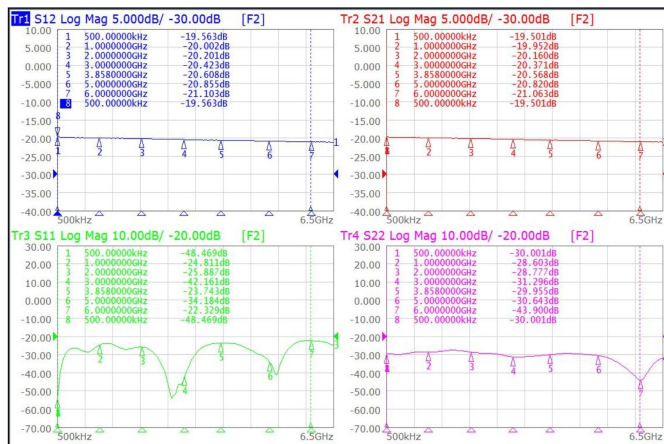


Power De-rating:

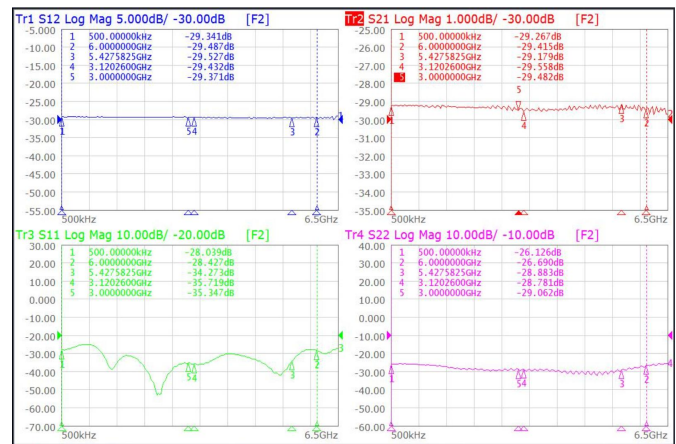


Graph:

20dB



30dB



Use attention:

- 1、Dimensions Tolerance $\pm 3\%$;
- 2、If necessary, the product shall be air-cooled for auxiliary heat dissipation ;
- 3、Custom designs available of other special coaxial fixed attenuator ;
- 4、Pay attention to the direction of the product during use and strictly prohibit reverse connection.