

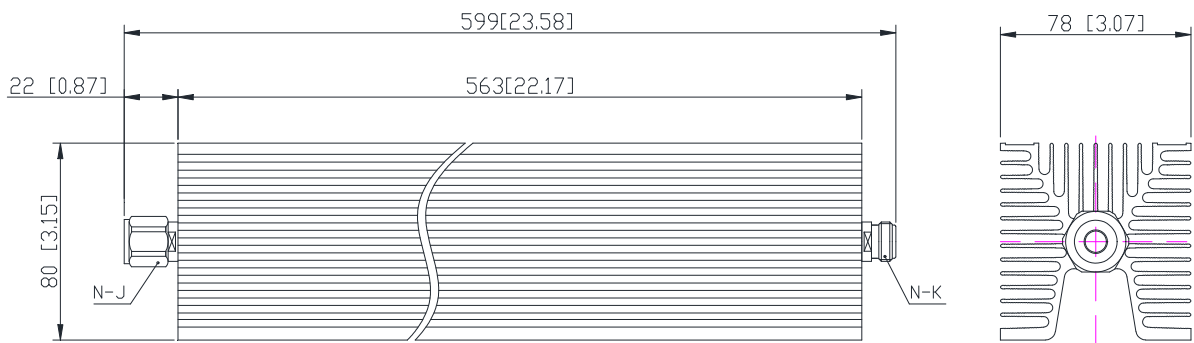


## Coaxial Fixed Attenuator

### Features and Electrical specifications:

Model	RFTXX-500FA8056-N-4 (XX=Attenuator Value)		
Frequency Range	DC~4.0GHz		
VSWR	1.30Max		
Power	500 W		
Impedance	50 Ω		
Attenuation	10dB	20dB	30、40、50、60dB
Attenuation Tolerance	±1.0dB	±2.0dB	±3.0dB
Connector	N-J(M)/ N-K(F)		
Dimension	78×80x599mm		
Operating Temperature	-55 ~ +125°C (See de Power De-rating)		
Weight	About 3.6 Kg		
ROHS Compliant	Yes		

### Outline Drawing (Unit: mm/inch):



The connector could be 4.3-10, DIN, N MM or FF ,  
or any two can be freely mixed and matched



**Naming rules:**



**Power De-rating:**



**Use attention:**

- 1、 Dimensions Tolerance  $\pm 3\%$ ;
- 2、 If necessary, the product shall be air-cooled for auxiliary heat dissipation ;
- 3、 Custom designs available of other special coaxial fixed attenuator ;
- 4、 Pay attention to the direction of the product during use and strictly prohibit reverse connection.