

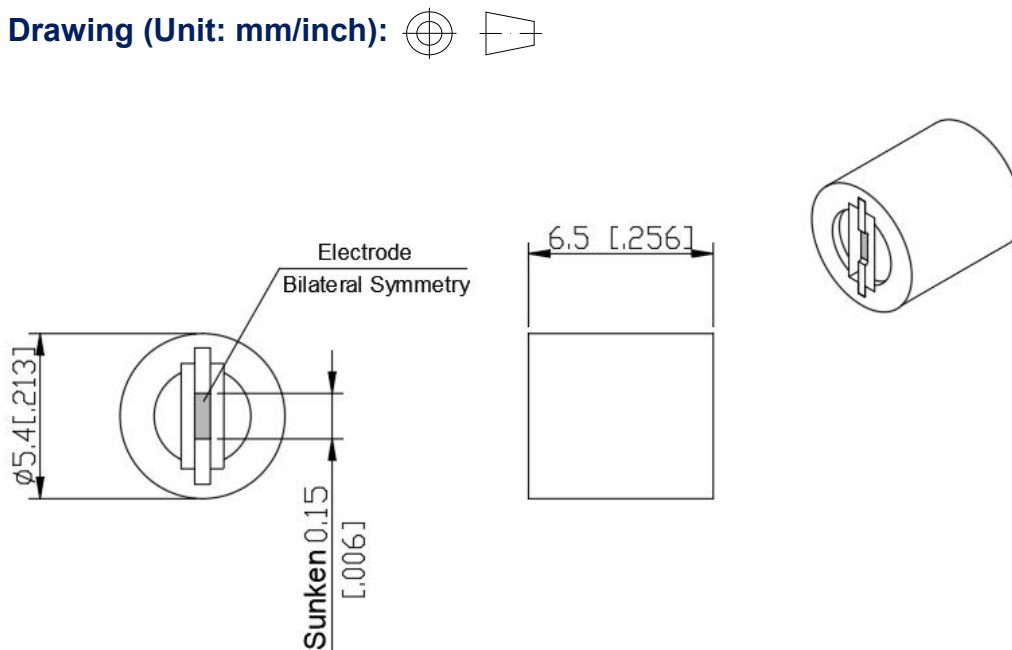


Microstrip Attenuator With Sleeve

◆Features and Electrical specifications:

Model	RFTXXA-02TA5465-18 (XX=Attenuation value)
Resistance Range	50 Ω
Frequency Range	DC~18.0GHz
Power	2 W
Attenuation(dB)	15、 20、 25、 30dB
Attenuation Tolerance(dB)	± 1.0
VSWR	1.30 Max
Temperature Coefficient	<150ppm/°C
Substrate material	Al ₂ O ₃
Sleeve Material	Copper (silver plated)
Resistance Process	Thick Film
Operating Temperature	-55 to +125°C (See de Power De-rating)
ROHS Compliant	Yes

◆Outline Drawing (Unit: mm/inch):



Diameter tolerance: ±0.05, length tolerance: ± 0.05

This size is limited to attenuation values of 15-30dB.

For 01-10dB, and the length of 6.35 will be reduced to 3.2

RFTYT Technology Co., LTD.

<http://www.rftyt.com>

E-mail: jackson@rftyt.com

cerman@rftyt.com

TEL: +86-13088268828

FAX: +86-816-2846565

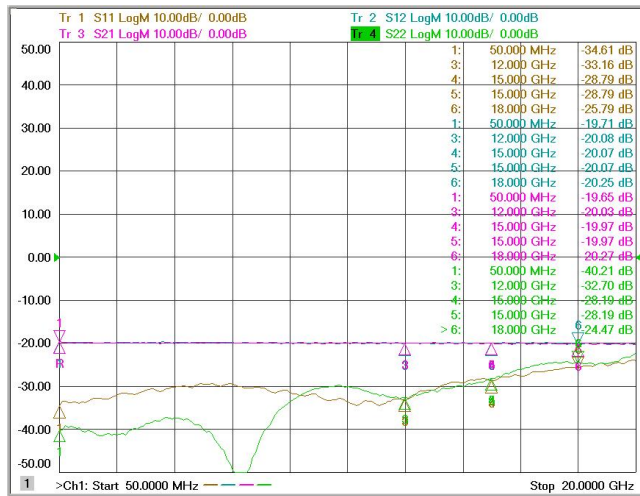
218# Wenwu Middle Road, Jinkai District, Mianyang, Sichuan Province China

Ready For Tackling Your Trouble

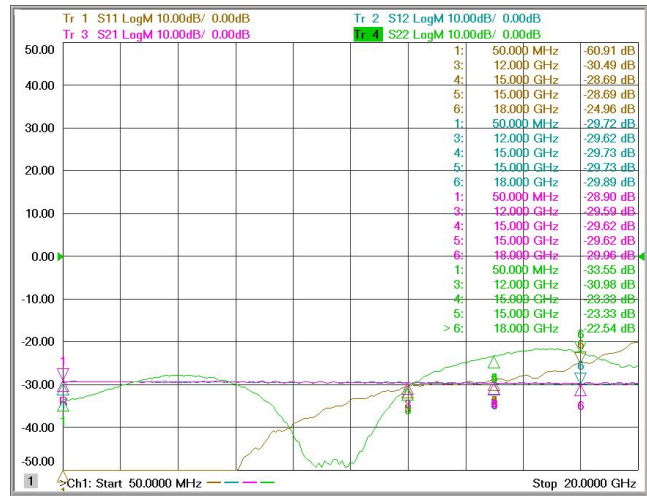


◆ Typical Performance:

20dB Graph



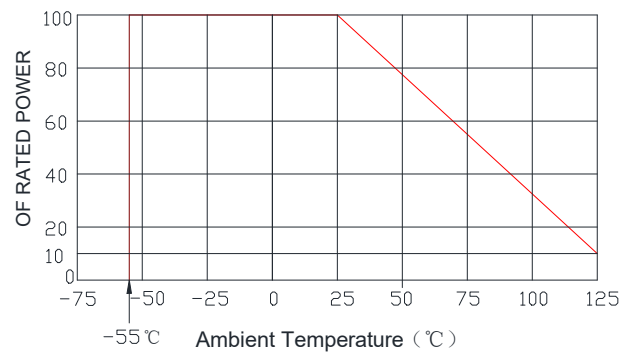
30dB Graph



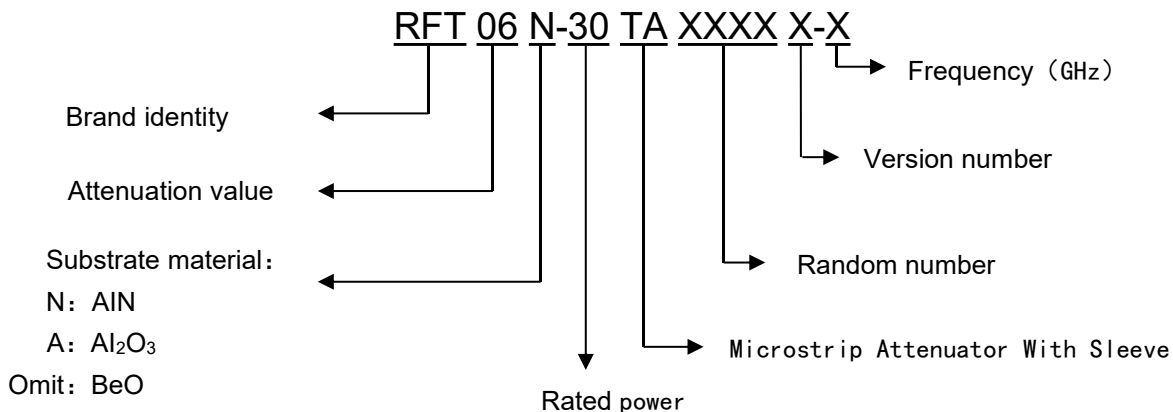
◆ Use Attention:

- Elastic contact is used at the contact point between the connector and the sleeve electrode;
 - The inner hole of the radiator should match the diameter of the sleeve, and the tolerance should not be too large;
- Operation steps:
- Tighten one end of the connector with a thread to one end of the radiator;
 - Place the sleeve type attenuation plate into the internal hole of the radiator;
 - Then tighten the connector on the other end with a thread
 - Attention: Thread requires the use of thread sealant

◆ Power De-rating:



◆ P/N Designation:





◆Notes:

- The sleeve and radiator need to be tightly connected to ensure heat dissipation.
- Good grounding is required to ensure S parameters.
- In order to meet the requirements of the drawings,
it is necessary to install radiators of sufficient size.
- If necessary, increase air cooling or water cooling.
- The connection between the connector and the sleeve type attenuation electrode
must use elastic contact.
- If the sleeve is marked with "IN", be sure to place one end of the IN on the input
port, and if there is no label, it will be bidirectional.

◆Remarks:

- We can provide customized RF attenuators, RF resistors, coaxial dummy (termination)
loads, and mismatched dummy (termination) loads.