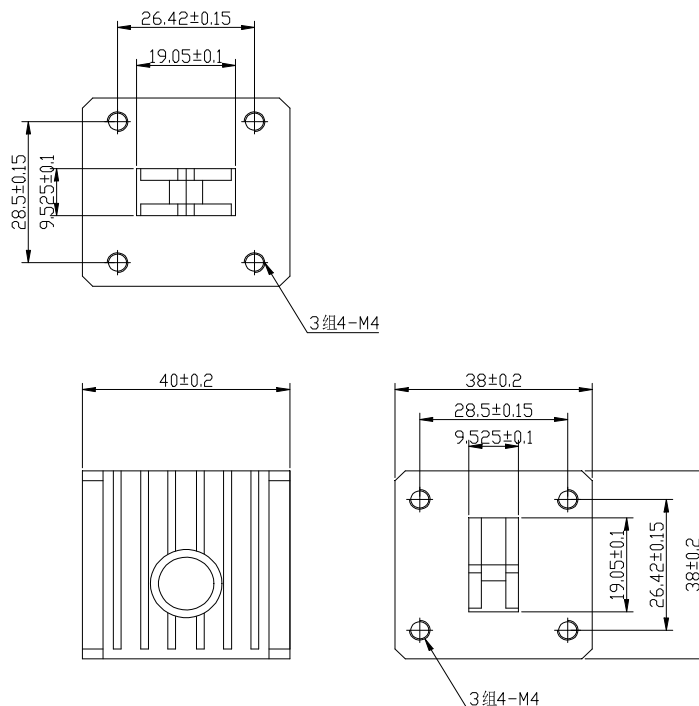


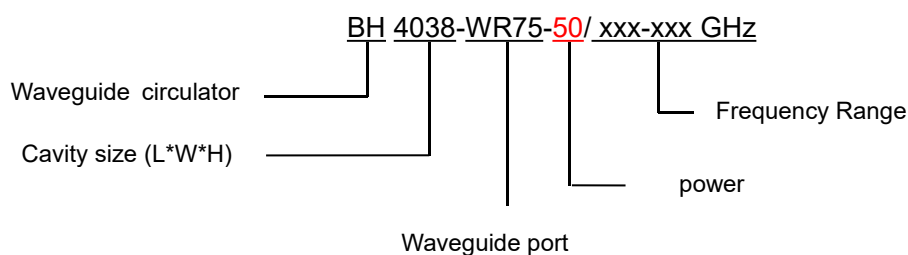
10.0-15.0GHz Waveguide circulator

BH4038-WR75

Outline Drawing (mm): 



Order Examples:



Basic Specifications:

Impedance	50 Ω
Connector Type	WR75
Size(mm)	38*40*38 (As shown in the figure)
Operating Temp	-30~+75 °C



Specifications:

Model No. (X=1: →Clockwise) (X=2: ←Anticlockwise)	Freq. Range GHz	bandwidth	IL. dB (max)	Isolation dB (min)	VSWR (max)
BH4038-WR75/10.0-15.0GHz	10.0-15.0	FULL	0.30	18.0	1.25

Instructions:

1, If you do not have the frequency you want, please contact us!