

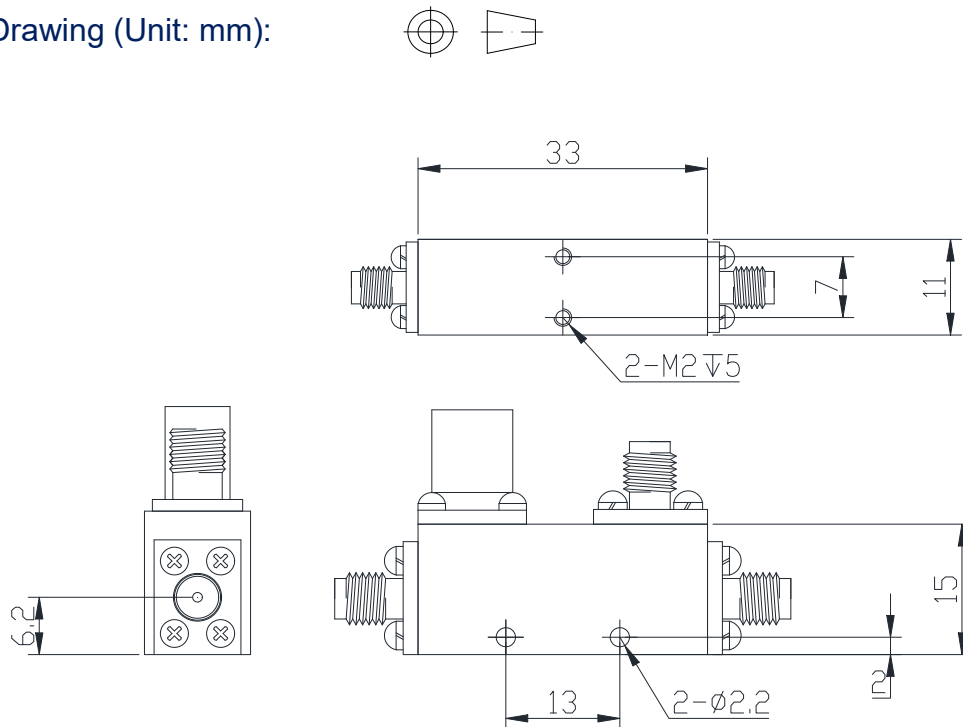


# Directional Coupler

## Features and Electrical specifications:

Model	CP20-F1533-S/4-18GHz
Frequency Range	4~18GHz
Insertion Loss	≤0.6dB
Nominal Coupling	20±1dB
Coupling Sensitivity	±0.7dB
Directivity	≥12dB
VSWR	1.50 Max
Rated Power	20W
Impedance	50 Ω
Connector Type	SMA-F
Dimension	33x15x11 mm
Surface Finishing	Grey Painting
Operating Temperature	-55 ~ +85°C
ROHS Compliant	Yes

## Outline Drawing (Unit: mm):



**RFTYT Technology Co., LTD.**

<http://www.rfyt.com>

E-mail : [jackson@rfyt.com](mailto:jackson@rfyt.com)      [zqc7708@rfyt.com](mailto:zqc7708@rfyt.com)

TEL: +86-13088268828      FAX: +86-816-2846565

218# Wenwu Middle Road, Jinkai District, Mianyang, Sichuan Province China

**Ready For Tackling Your Trouble**