

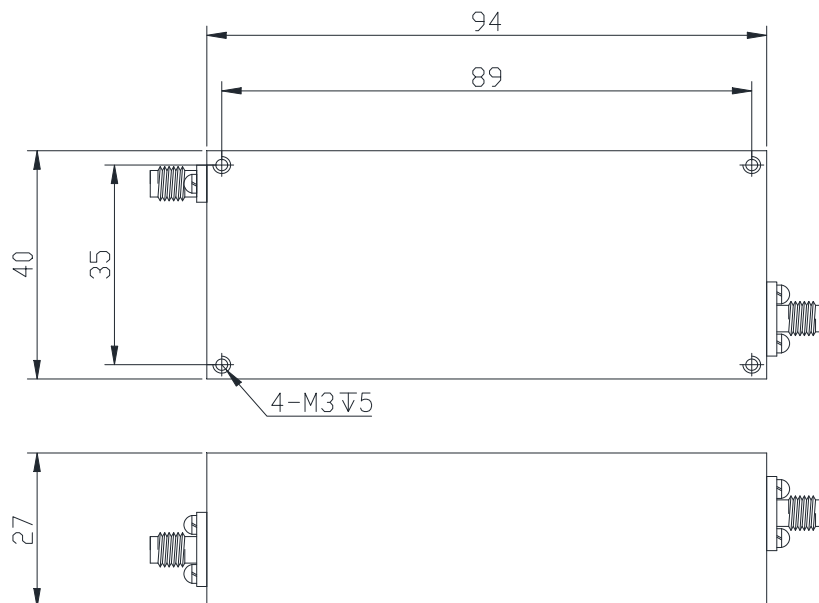
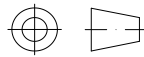


## Low Pass Filter

### Features and Electrical specifications:

Model	LPF-DCM4200A-S
Frequency Range	DC-4200MHz
Insertion Loss	≤2.0dB
Rejection	≥40dB@4452-21000MHz
VSWR	2.0 Max
Rated Power	20 W
Impedance	50 Ω
Connector Type	SMA-F
Dimension	94.0x40.0x27.0mm
Surface Finishing	Black Painting
Operating Temperature	Ordinary Temperature
Storage Temperature	-55 ~ +85°C

### Outline Drawing (Unit: mm):



### RFTYT Technology Co., LTD.

<http://www.rftyt.com>

E-mail: [jackson@rftyt.com](mailto:jackson@rftyt.com)      [zqc7708@rftyt.com](mailto:zqc7708@rftyt.com)

TEL: +86-13088268828      FAX: +86-816-2846565

218# Wenwu Middle Road, Jinkai District, Mianyang, Sichuan Province China

**Ready For Tackling Your Trouble**