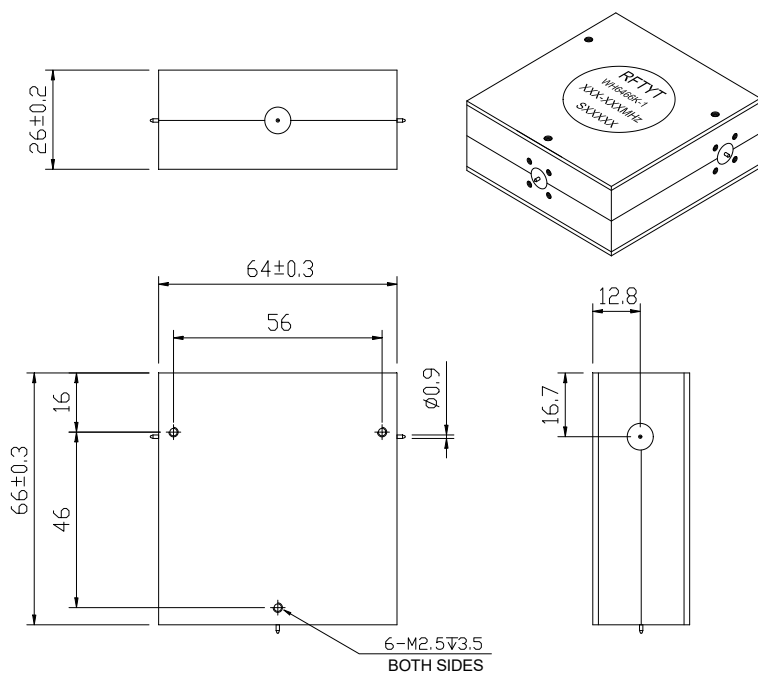


## 950 to 2000MHz Drop in Circulator

### WH6466K Strip Line Type

#### Outline Drawing (mm):



#### Features:

- ◇ Good temperature stability
- ◇ Withstand high power
- ◇ RoHS compliant
- ◇ Weight :  $\approx$  325 g

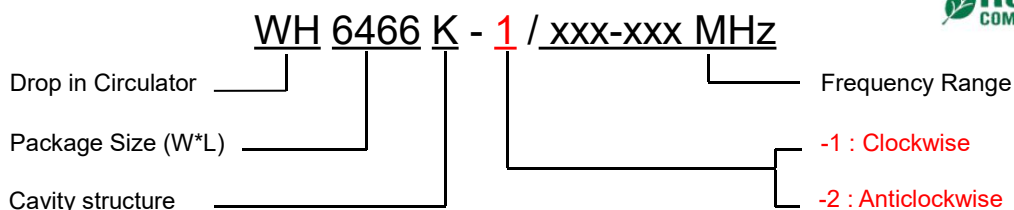
#### Material list:

- ◇ Cavity: aluminum conductive oxidation
- ◇ Outer shell: industrial pure iron nickel plating
- ◇ Inner conductor: silver plated brass

#### Application:

- ◇ Rf amplifier final stage, protect the amplifier
- ◇ Common transceiver antenna
- ◇ Digital communication
- ◇ Satellite communication

#### Order Examples:



#### Basic Specifications:

Impedance	50 $\Omega$
Operating temperature	-10~+60 °C
Storage temperature	-40~+90 °C
Size(mm)	64*66*26

### Specifications:

Model No X=1: →Clockwise) (X=2: ←Anticlockwise)	Freq. Range MHz	Insertion Loss dB (max)	Isolation dB (min)	VSWR (max)	Power W
WH6466K-X/950-2000MHz	950-2000	0.80	16.0	1.40	150
WH6466K-X/1000-2000MHz	1000-2000	0.70	17.0	1.40	150

### Instructions:

- 1, The circulator only provides through power, indicating that the transmission to the antenna and the antenna to the receiving are through power;
- 2, Only some common frequencies in the table, can be produced according to user requirements;
- 3, Embedded circulator, please use stainless steel or brass screws when installing;
- 4, If you do not find what you are looking for, please contact us!