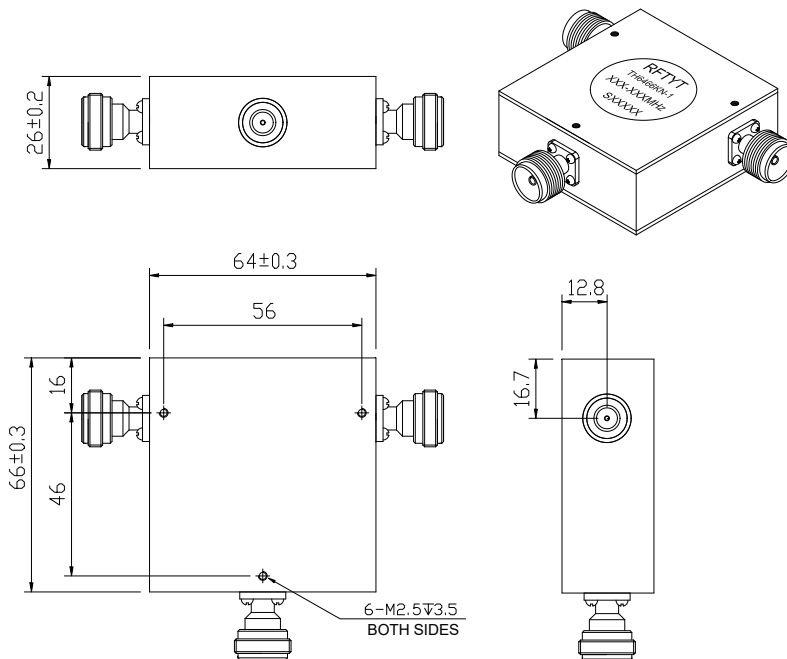
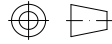


950 to 2000MHz Coaxial Circulator

TH6466KN N Type

Outline Drawing (mm):



Features:

- ◇ Good temperature stability
- ◇ Withstand high power
- ◇ RoHS compliant
- ◇ Weight : \approx 450 g

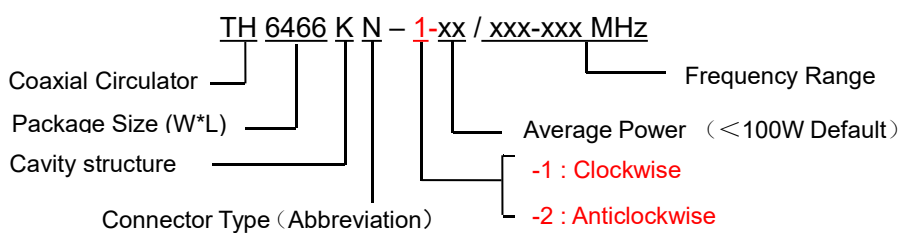
Material list:

- ◇ Cavity: aluminum conductive oxidation
- ◇ Housing: Industrial pure iron nickel plated
- ◇ Conductor: silver plated brass
- ◇ Connector housing: brass nickel-plated

Application:

- ◇ Rf amplifier final stage, protect the amplifier
- ◇ Common transceiver antenna
- ◇ Digital communication
- ◇ Satellite communication
- ◇ Ionospheric scattering communication
- ◇ Mobile communication
- ◇ Small capacity microwave relay communication

Order Examples:



Connector Type:



SMA Type Connector Options				N Type Connector Options			
Port 1	Port 2	Port 3	Abbreviation	Port 1	Port 2	Port 3	Abbreviation
K	K	K	S	K	K	K	N
K	J	J	SKJJ	K	J	J	NKJJ
J	K	J	SJKJ	J	K	J	NJKJ
K	K	J	SKKJ	K	K	J	NKKJ
J	J	J	SJ	J	J	J	NJ

Basic Specifications :

Impedance	50 Ω
Forward Power/ Reflected Power	150W
Connector Type	N-K
Size(mm)	64.0*66.0*26.0
Operating Temp	-10~+60℃
Storage temperature	-40~+90 ℃

Specifications :

Model No. (X=1: →Clockwise) (X=2: ←Anticlockwise)	Freq. Range GHz	IL. dB (max)	Isolation dB (min)	VSWR (max)	POWER W
TH6466KN-X-100/950-1700MHz	0.95-1.7	0.80	16.0	1.40	150
TH6466KN-X-100/950-2000MHz	0.95-2.0	0.80	16.0	1.40	150
TH6466KN-X-100/950-1700MHz	1.0-1.7	0.70	17.0	1.40	150
TH6466KN-X-100/950-2000MHz	1.0-2.0	0.70	17.0	1.40	150

Instructions :

- 1, The circulator connector can be selected SMA, N, male and female head can be used with the user;
- 2, The circulator only provides through power, indicating that the transmission to the antenna and the antenna to the receiving are through power;
- 3, Only some common frequencies in the table, can be produced according to the user's requirements;
- 4, If you do not find what you are looking for, please contact us!