

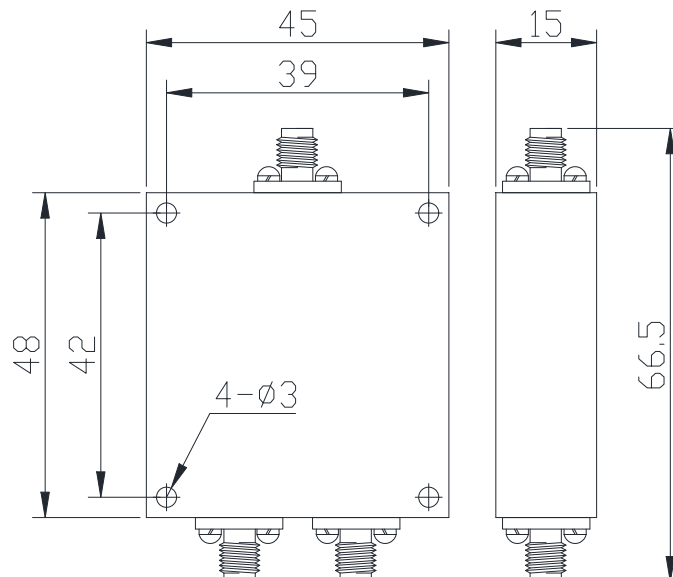


## 2 Way Power Divider

### Features and Electrical specifications:

Model	PD02-F4548-S/698-3800MHz
Frequency Range	698-3800 MHz
Insertion Loss	$\leq 0.8\text{dB}$
Split Loss	3.0 dB
Isolation	20 dB min
VSWR	1.30 Max
Rated Power	50 W
Impedance	50 $\Omega$
Connector Type	SMA-F
Waterproof Grade	IP65
Relative Humidity	$\leq 95\%$
Surface Finishing	Black Painting
Operating Temperature	-20 ~ +60°C
ROHS Compliant	Yes

Outline Drawing (Unit: mm):



**RFTYT Technology Co., LTD.**

<http://www.rftyt.com>

E-mail : [jackson@rftyt.com](mailto:jackson@rftyt.com)      [zqc7708@rftyt.com](mailto:zqc7708@rftyt.com)

TEL: +86-13088268828      FAX: +86-816-2846565

218# Wenwu Middle Road, Jinkai District, Mianyang, Sichuan Province China

**Ready For Tackling Your Trouble**