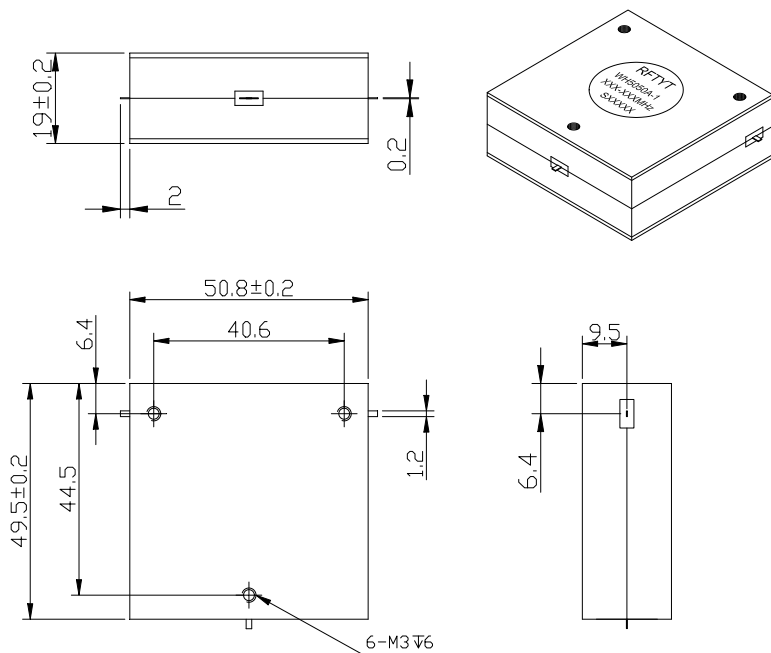




1.35 to 3.0 GHz Drop in Circulator

WH5050A Strip Line Type

Outline Drawing (mm):



General part Tolerance is ±2% unless otherwise stated

Order Examples:

WH 5050 A - 1 / xxx-xxx MHz

Drop in Circulator

Package Size (W*L)

Cavity structure

Frequency Range

-1 : Clockwise

-2 : Anticlockwise



Features:

- ◇ Good temperature stability
- ◇ Withstand high power
- ◇ RoHS compliant
- ◇ Weight : ≈190 g

Material list:

- ◇ Cavity: aluminum conductive oxidation
- ◇ Outer shell: industrial pure iron nickel plating
- ◇ Guide body: Silver plated brass

Application:

- ◇ Rf amplifier final stage, protect the amplifier
- ◇ Common transceiver antenna
- ◇ Digital communication
- ◇ Satellite communication
- ◇ Mobile communication

Basic Specifications:

Impedance	50 Ω
Operating temperature	-10~+60 °C
Storage temperature	-50~+90 °C
Size(mm)	49.5*50.8*19



Specifications:

Model No (X=1: →Clockwise) (X=2: ←Anticlockwise)	Freq. Range GHz	Insertion Loss dB (max)	Isolation dB (min)	VSWR (max)	Power W
WH5050A-X/1.35-2.7GHz	1.35-2.7	0.70	17.0	1.35	150
WH5050A-X/1.35-2.9GHz	1.35-2.9	0.70	17.0	1.35	150
WH5050A-X/1.4-2.7GHz	1.4-2.7	0.70	17.0	1.35	150
WH5050A-X/1.5-2.5GHz	1.5-2.5	0.70	17.0	1.35	150
WH5050A-X/1.5-3.0GHz	1.5-3.0	0.70	17.0	1.35	150

Instructions:

- 1, The circulator only provides through power, indicating that the transmission to the antenna and the antenna to the receiving are through power;
- 2, Only some common frequencies in the table, can be produced according to user requirements;
- 3, Embedded circulator, please use stainless steel or brass screws when installing;
- 4, If you do not find what you are looking for, please contact us!