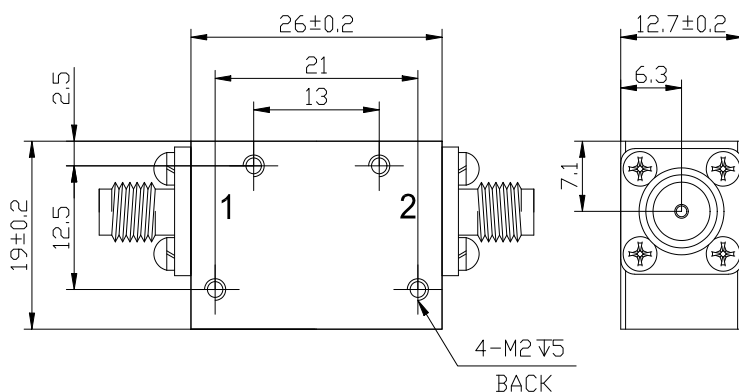
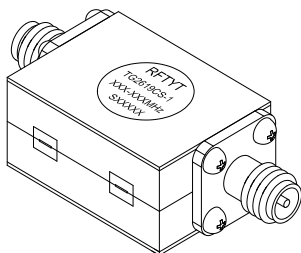


8.0 to 12.0GHz Dual Junction Isolator

TG2619CS SMA Type

Outline Drawing (mm): 



Features:

- ◇ Good temperature stability
- ◇ Withstand high power
- ◇ RoHS compliant
- ◇ Weight : \approx 100 g

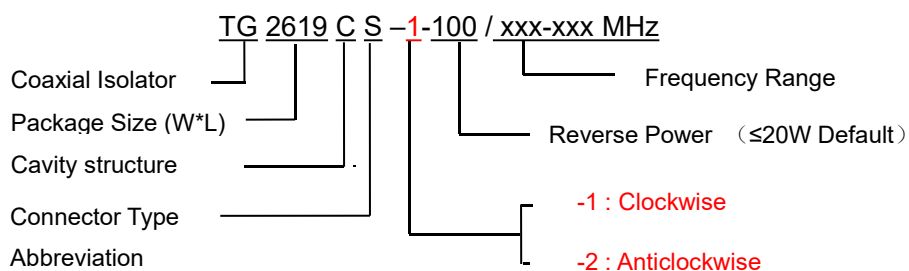
Material list:

- ◇ Cavity: aluminum conductive oxidation
- ◇ Outer shell: industrial pure iron nickel plating
- ◇ Guide body: Silver plated brass
- ◇ Load chamber: aluminum conductive oxidation

Application:

- ◇ Rf amplifier final stage, protect the amplifier
- ◇ Digital communication
- ◇ Satellite communication
- ◇ Mobile communication

Order Examples:



Connector Type

SMA Type Connector Options			N Type Connector Options		
Port 1	Port 2	Abbreviation	Port 1	Port 2	Abbreviation
SMA-K	SMA-K	S	N-K	N-K	N
SMA-K	SMA-J	SKJ	N-J	N-K	NJK
SMA-J	SMA-K	SJK	N-K	N-J	NKJ
SMA-J	SMA-J	SJ	N-J	N-J	NJ

Basic Specifications :

Impedance	50 Ω
Size(mm)	26.0*19.0*12.7
Operating Temp	-10~+60℃
Storage temperature	-30~+70℃
ConnectorType	SMA-K

Specifications :

Model No. (X=1: →Clockwise) (X=2: ←Anticlockwise)	Freq. Range GHz	IL. dB (max)	Isolation dB (min)	VSWR	Forward Power CW	Reverse Power W
TG2619CS-X/8.0-8.5GHz	8.0-8.5	0.8	40	1.25	30	10
TG2619CS-X/8.0-9.0GHz	8.0-9.0	0.8	40	1.25	30	10
TG2619CS-X/8.0-10.0GHz	8.0-10.0	1.0	40	1.30	30	10
TG2619CS-X/8.0-11.0GHz	8.0-11.0	1.0	36	1.30	30	10
TG2619CS-X/8.0-12.0GHz	8.0-12.0	1.0	36	1.30	30	10
TG2619CS-X/8.0-12.4GHz	8.0-12.4	1.2	32	1.40	30	10
TG2619CS-X/8.3-8.4GHz	8.3-8.4	0.6	46	1.20	30	10
TG2619CS-X/8.5-9.5GHz	8.5-9.5	0.8	40	1.25	30	10
TG2619CS-X/8.9-9.1GHz	8.9-9.1	0.8	40	1.25	30	10
TG2619CS-X/8.55-9.35GHz	8.55-9.35	0.8	40	1.25	30	10
TG2619CS-X/9.0-10.0GHz	9.0-10.0	0.8	40	1.25	30	10
TG2619CS-X/9.1-9.6GHz	9.1-9.6	0.8	40	1.25	30	10
TG2619CS-X/9.1-9.7GHz	9.1-9.7	0.8	40	1.25	30	10
TG2619CS-X/9.3-9.6GHz	9.3-9.6	0.8	40	1.25	30	10
TG2619CS-X/9.7-11.7GHz	9.7-11.7	1.0	40	1.25	30	10
TG2619CS-X/9.9-10.1GHz	9.9-10.1	0.6	50	1.15	30	10
TG2619CS-X/9.85-10.15GHz	9.85-10.15	0.6	46	1.20	30	10
TG2619CS-X/10.4-10.6GHz	10.4-10.6	0.6	46	1.20	30	10
TG2619CS-X/10.7-13.3GHz	10.7-13.3	0.8	40	1.20	30	10



Instructions:

- 1, The isolator connector can only use SMA, male and female head can be selected by the user;
- 2, Only some common frequencies in the table, can be produced according to the user's requirements;
- 3, If you do not find what you are looking for, please contact us!