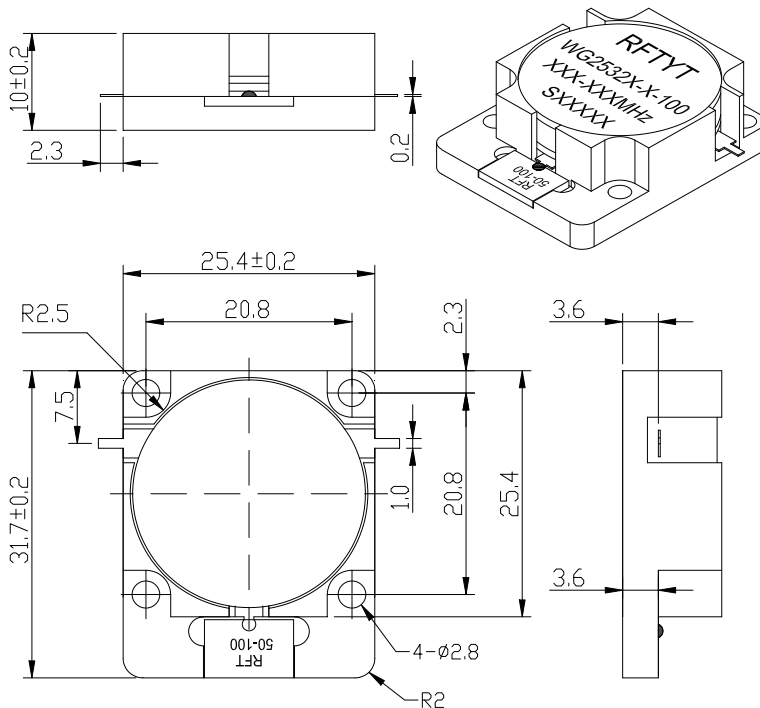


350 to 4300MHz Drop in Isolator

WG2532X 100W Drop-In Type

Outline Drawing (mm):



Features:

- ◇ Good temperature stability
- ◇ Withstand high power
- ◇ RoHS compliant
- ◇ Weight : \approx 40 g

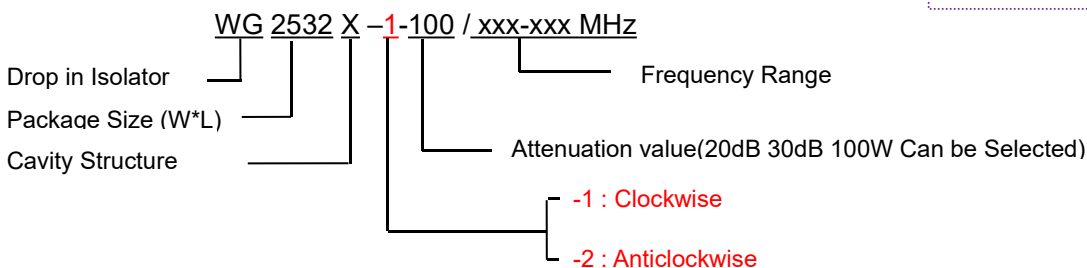
Material list:

- ◇ Shell: easy to cut iron plated nickel
- ◇ Inner guide body: silver plated brass
- ◇ Resistance flange: nickel plated copper
- ◇ Resistance base material: aluminum nitride

Application:

- ◇ Rf amplifier final stage, protect the amplifier
- ◇ Used in civil, military, aerospace and other fields
- ◇ Mobile communication

Order Examples:



Basic Specifications:

| | |
|---------------------|---|
| Impedance | 50 Ω |
| Size(mm) | 25.4*25.4*10.0 |
| Operating Temp | -30~+75 $^{\circ}$ C/-45~+85 $^{\circ}$ C |
| Storage temperature | -50~+90 $^{\circ}$ C |

Specifications:

| Model No. (X=1: →Clockwise) (X=2: ←Anticlockwise) | Freq. Range MHz | IL. dB (max) | Isolation dB (min) | VSWR | Forward Power CW | Reverse power W |
|--|----------------------------------|-------------------------------|-------------------------------------|-------------|---|--|
| WG2532X-X-100/350-370MHz | 350-370 | 0.50 | 20.0 | 1.20 | 200 | 100 |
| WG2532X-X-100/400-410MHz | 400-410 | 0.30 | 23.0 | 1.20 | 200 | 100 |
| WG2532X-X-100/400-470MHz | 400-470 | 0.50 | 18.0 | 1.30 | 200 | 100 |
| WG2532X-X-100/400-500MHz | 400-500 | 0.60 | 16.0 | 1.40 | 200 | 100 |
| WG2532X-X-100/410-425MHz | 410-425 | 0.30 | 23.0 | 1.20 | 200 | 100 |
| WG2532X-X-100/430-470MHz | 430-470 | 0.40 | 20.0 | 1.25 | 200 | 100 |
| WG2532X-X-100/490-510MHz | 490-510 | 0.30 | 23.0 | 1.20 | 200 | 100 |
| WG2532X-X-100/600-700MHz | 600-700 | 0.40 | 20.0 | 1.25 | 200 | 100 |
| WG2532X-X-100/690-810MHz | 690-810 | 0.40 | 20.0 | 1.25 | 200 | 100 |
| WG2532X-X-100/700-750MHz | 700-750 | 0.40 | 20.0 | 1.25 | 200 | 100 |
| WG2532X-X-100/700-803MHz | 700-803 | 0.40 | 20.0 | 1.25 | 200 | 100 |
| WG2532X-X-100/750-800MHz | 750-800 | 0.30 | 23.0 | 1.20 | 200 | 100 |
| WG2532X-X-100/800-850MHz | 800-850 | 0.30 | 23.0 | 1.20 | 200 | 100 |
| WG2532X-X-100/800-1000MHz | 800-1000 | 0.50 | 18.0 | 1.30 | 200 | 100 |
| WG2532X-X-100/850-855MHz | 850-855 | 0.25 | 25.0 | 1.15 | 200 | 100 |
| WG2532X-X-100/850-900MHz | 850-900 | 0.30 | 23.0 | 1.20 | 200 | 100 |
| WG2532X-X-100/850-960MHz | 850-960 | 0.40 | 20.0 | 1.25 | 200 | 100 |
| WG2532X-X-100/860-960MHz | 860-960 | 0.40 | 20.0 | 1.25 | 200 | 100 |
| WG2532X-X-100/900-920MHz | 900-920 | 0.30 | 23.0 | 1.20 | 200 | 100 |
| WG2532X-X-100/925-960MHz | 925-960 | 0.30 | 23.0 | 1.20 | 200 | 100 |
| WG2532X-X-100/955-1220MHz | 955-1220 | 0.45 | 18.0 | 1.30 | 200 | 100 |
| WG2532X-X-100/960-1230MHz | 960-1230 | 0.45 | 18.0 | 1.30 | 200 | 100 |
| WG2532X-X-100/962-1213MHz | 962-1213 | 0.45 | 20.0 | 1.25 | 200 | 100 |
| WG2532X-X-100/1000-1100MHz | 1000-1100 | 0.30 | 23.0 | 1.20 | 200 | 100 |
| WG2532X-X-100/1000-1200MHz | 1000-1200 | 0.40 | 20.0 | 1.25 | 200 | 100 |
| WG2532X-X-100/1020-1040MHz | 1020-1040 | 0.20 | 25.0 | 1.15 | 200 | 100 |



| Model No. (X=1: →Clockwise) (X=2: ←Anticlockwise) | Freq. Range MHz | IL. dB (max) | Isolation dB (min) | VSWR | Forward Power CW | Reverse power W |
|---|--------------------|-----------------|-----------------------|------|------------------------|-----------------------|
| WG2532X-X-100/1020-1100MHz | 1020-1100 | 0.30 | 23.0 | 1.20 | 200 | 100 |
| WG2532X-X-100/1022-1038MHz | 1022-1038 | 0.20 | 25.0 | 1.15 | 200 | 100 |
| WG2532X-X-100/1030-1039MHz | 1030-1039 | 0.20 | 25.0 | 1.15 | 200 | 100 |
| WG2532X-X-100/1030-1090MHz | 1030-1090 | 0.30 | 23.0 | 1.20 | 200 | 100 |
| WG2532X-X-100/1070-1210MHz | 1070-1210 | 0.40 | 20.0 | 1.25 | 200 | 100 |
| WG2532X-X-100/1080-1100MHz | 1080-1100 | 0.20 | 25.0 | 1.15 | 200 | 100 |
| WG2532X-X-100/1100-1300MHz | 1100-1300 | 0.40 | 20.0 | 1.25 | 200 | 100 |
| WG2532X-X-100/1150-1250MHz | 1150-1250 | 0.30 | 23.0 | 1.20 | 200 | 100 |
| WG2532X-X-100/1187-1312MHz | 1187-1312 | 0.40 | 20.0 | 1.25 | 200 | 100 |
| WG2532X-X-100/1200-1300MHz | 1200-1300 | 0.30 | 23.0 | 1.20 | 200 | 100 |
| WG2532X-X-100/1200-1400MHz | 1200-1400 | 0.40 | 20.0 | 1.25 | 200 | 100 |
| WG2532X-X-100/1250-1450MHz | 1250-1450 | 0.40 | 20.0 | 1.25 | 200 | 100 |
| WG2532X-X-100/1301-1438MHz | 1301-1438 | 0.40 | 20.0 | 1.25 | 200 | 100 |
| WG2532X-X-100/1300-1700MHz | 1300-1700 | 0.40 | 19.0 | 1.25 | 200 | 100 |
| WG2532X-X-100/1325-1375MHz | 1325-1375 | 0.30 | 23.0 | 1.20 | 200 | 100 |
| WG2532X-X-100/1400-1600MHz | 1400-1600 | 0.40 | 20.0 | 1.25 | 200 | 100 |
| WG2532X-X-100/1450-1550MHz | 1450-1550 | 0.30 | 23.0 | 1.20 | 200 | 100 |
| WG2532X-X-100/1500-1700MHz | 1500-1700 | 0.40 | 20.0 | 1.25 | 200 | 100 |
| WG2532X-X-100/1500-1800MHz | 1500-1800 | 0.40 | 20.0 | 1.25 | 200 | 100 |
| WG2532X-X-100/1524-1540MHz | 1524-1540 | 0.20 | 25.0 | 1.15 | 200 | 100 |
| WG2532X-X-100/1550-1630MHz | 1550-1630 | 0.30 | 23.0 | 1.20 | 200 | 100 |
| WG2532X-X-100/1550-1650MHz | 1550-1650 | 0.30 | 23.0 | 1.20 | 200 | 100 |
| WG2532X-X-100/1626-1660MHz | 1626-1660 | 0.20 | 25.0 | 1.15 | 200 | 100 |
| WG2532X-X-100/1700-1900MHz | 1700-1900 | 0.40 | 20.0 | 1.25 | 200 | 100 |
| WG2532X-X-100/1700-2000MHz | 1700-2000 | 0.40 | 19.0 | 1.25 | 200 | 100 |
| WG2532X-X-100/1710-1785MHz | 1710-1785 | 0.30 | 23.0 | 1.20 | 200 | 100 |
| WG2532X-X-100/1710-2170MHz | 1710-2170 | 0.50 | 18.0 | 1.30 | 200 | 100 |



| Model No. (X=1: →Clockwise) (X=2: ←Anticlockwise) | Freq. Range MHz | IL. dB (max) | Isolation dB (min) | VSWR | Forward Power CW | Reverse power W |
|---|--------------------|-----------------|-----------------------|------|------------------------|-----------------------|
| WG2532X-X-100/1800-2000MHz | 1800-2000 | 0.40 | 20.0 | 1.25 | 200 | 100 |
| WG2532X-X-100/1800-2200MHz | 1800-2200 | 0.50 | 18.0 | 1.30 | 200 | 100 |
| WG2532X-X-100/1800-2400MHz | 1800-2400 | 0.60 | 18.0 | 1.30 | 200 | 100 |
| WG2532X-X-100/1805-1880MHz | 1805-1880 | 0.30 | 23.0 | 1.20 | 200 | 100 |
| WG2532X-X-100/1805-2117MHz | 1805-2117 | 0.40 | 20.0 | 1.25 | 200 | 100 |
| WG2532X-X-100/1900-2200MHz | 1900-2200 | 0.35 | 20.0 | 1.25 | 200 | 100 |
| WG2532X-X-100/1920-1990MHz | 1920-1990 | 0.30 | 23.0 | 1.20 | 200 | 100 |
| WG2532X-X-100/2000-2200MHz | 2000-2200 | 0.40 | 20.0 | 1.20 | 200 | 100 |
| WG2532X-X-100/2000-2400MHz | 2000-2400 | 0.50 | 18.0 | 1.30 | 200 | 100 |
| WG2532X-X-100/2000-2500MHz | 2000-2500 | 0.50 | 18.0 | 1.20 | 200 | 100 |
| WG2532X-X-100/2000-2700MHz | 2000-2700 | 0.70 | 17.0 | 1.35 | 200 | 100 |
| WG2532X-X-100/2100-2170MHz | 2100-2170 | 0.30 | 23.0 | 1.20 | 200 | 100 |
| WG2532X-X-100/2100-2700MHz | 2100-2700 | 0.50 | 18.0 | 1.35 | 200 | 100 |
| WG2532X-X-100/2110-2170MHz | 2110-2170 | 0.30 | 23.0 | 1.20 | 200 | 100 |
| WG2532X-X-100/2135-2365MHz | 2135-2365 | 0.40 | 20.0 | 1.25 | 200 | 100 |
| WG2532X-X-100/2200-2300MHz | 2200-2300 | 0.30 | 23.0 | 1.20 | 200 | 100 |
| WG2532X-X-100/2200-2400MHz | 2200-2400 | 0.40 | 20.0 | 1.20 | 200 | 100 |
| WG2532X-X-100/2200-2500MHz | 2200-2500 | 0.40 | 20.0 | 1.25 | 200 | 100 |
| WG2532X-X-100/2300-2400MHz | 2300-2400 | 0.30 | 23.0 | 1.20 | 200 | 100 |
| WG2532X-X-100/2300-2500MHz | 2300-2500 | 0.40 | 20.0 | 1.20 | 200 | 100 |
| WG2532X-X-100/2300-2700MHz | 2300-2700 | 0.40 | 20.0 | 1.20 | 200 | 100 |
| WG2532X-X-100/2400-2500MHz | 2400-2500 | 0.30 | 23.0 | 1.20 | 200 | 100 |
| WG2532X-X-100/2400-2600MHz | 2400-2600 | 0.40 | 20.0 | 1.20 | 200 | 100 |
| WG2532X-X-100/2496-2690MHz | 2496-2690 | 0.40 | 20.0 | 1.20 | 200 | 100 |
| WG2532X-X-100/2500-2700MHz | 2500-2700 | 0.40 | 20.0 | 1.20 | 200 | 100 |
| WG2532X-X-100/2600-2690MHz | 2600-2690 | 0.30 | 23.0 | 1.20 | 200 | 100 |
| WG2532X-X-100/2600-2700MHz | 2600-2700 | 0.30 | 23.0 | 1.20 | 200 | 100 |



| Model No. (X=1: →Clockwise) (X=2: ←Anticlockwise) | Freq. Range MHz | IL. dB (max) | Isolation dB (min) | VSWR | Forward Power CW | Reverse power W |
|---|--------------------|-----------------|-----------------------|------|------------------------|-----------------------|
| WG2532X-X-100/2700-2900MHz | 2700-2900 | 0.30 | 20.0 | 1.20 | 100 | 100 |
| WG2532X-X-100/2700-3100MHz | 2700-3100 | 0.40 | 20.0 | 1.25 | 100 | 100 |
| WG2532X-X-100/2700-3500MHz | 2700-3500 | 0.50 | 18.0 | 1.30 | 100 | 100 |
| WG2532X-X-100/2750-3150MHz | 2750-3150 | 0.40 | 20.0 | 1.25 | 100 | 100 |
| WG2532X-X-100/2900-3300MHz | 2900-3300 | 0.40 | 20.0 | 1.20 | 100 | 100 |
| WG2532X-X-100/2900-3500MHz | 2900-3500 | 0.40 | 20.0 | 1.25 | 100 | 100 |
| WG2532X-X-100/3000-3600MHz | 3000-3600 | 0.30 | 20.0 | 1.25 | 100 | 100 |
| WG2532X-X-100/3100-3500MHz | 3100-3500 | 0.40 | 20.0 | 1.25 | 100 | 100 |
| WG2532X-X-100/3150-3250MHz | 3150-3250 | 0.30 | 23.0 | 1.20 | 100 | 100 |
| WG2532X-X-100/3300-3600MHz | 3300-3600 | 0.30 | 20.0 | 1.20 | 100 | 100 |
| WG2532X-X-100/3300-3800MHz | 3300-3800 | 0.40 | 20.0 | 1.25 | 100 | 100 |
| WG2532X-X-100/3400-3900MHz | 3400-3900 | 0.40 | 20.0 | 1.25 | 100 | 100 |
| WG2532X-X-100/3400-4200MHz | 3400-4200 | 0.45 | 19.0 | 1.25 | 100 | 100 |
| WG2532X-X-100/3400-4300MHz | 3400-4300 | 0.50 | 18.0 | 1.30 | 100 | 100 |
| WG2532X-X-100/3550-3700MHz | 3550-3700 | 0.30 | 23.0 | 1.20 | 100 | 100 |
| WG2532X-X-100/3600-3800MHz | 3600-3800 | 0.30 | 23.0 | 1.20 | 100 | 100 |
| WG2532X-X-100/3900-4000MHz | 3900-4000 | 0.30 | 23.0 | 1.20 | 100 | 100 |

**If the frequency range you need is not covered in the form.
Please contact us for details.**