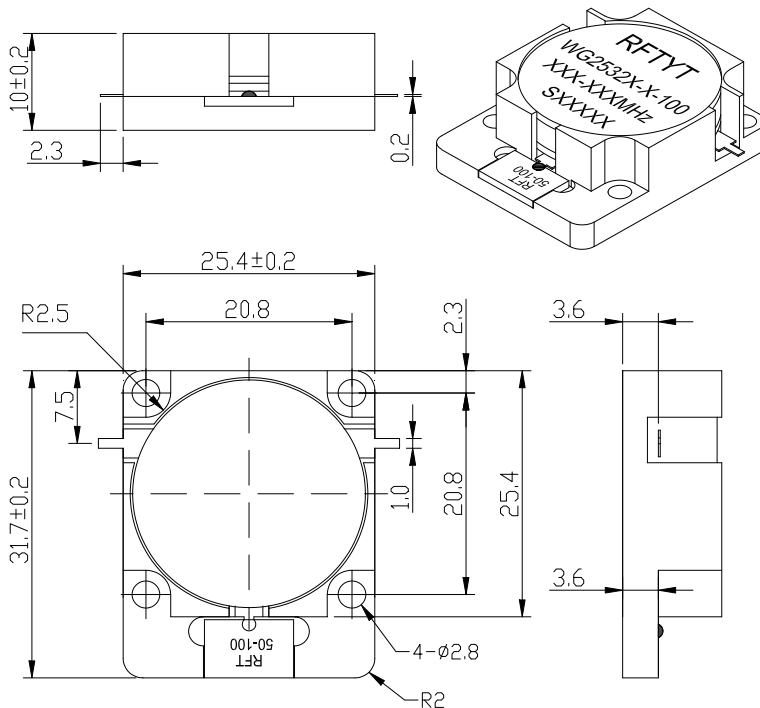


350 to 4300MHz Drop in Isolator

WG2532X 100W Drop-In Type

Outline Drawing (mm):



Features:

- ◇ Good temperature stability
- ◇ Withstand high power
- ◇ RoHS compliant
- ◇ Weight : \approx 40 g

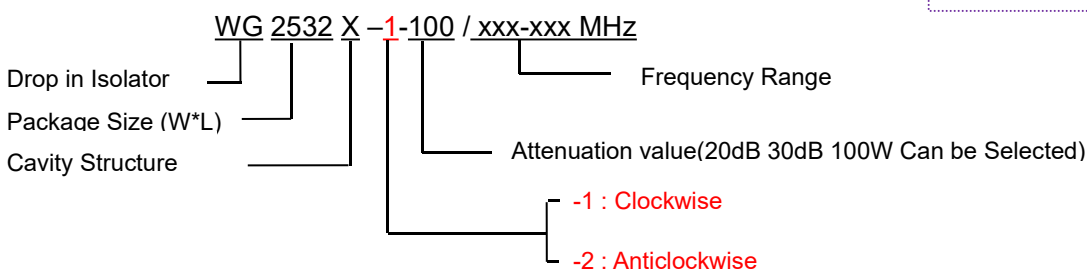
Material list:

- ◇ Shell: easy to cut iron plated nickel
- ◇ Inner guide body: silver plated brass
- ◇ Resistance flange: nickel plated copper
- ◇ Resistance base material: aluminum nitride

Application:

- ◇ Rf amplifier final stage, protect the amplifier
- ◇ Used in civil, military, aerospace and other fields
- ◇ Mobile communication

Order Examples:



Basic Specifications:

Impedance	50 Ω
Size(mm)	25.4*25.4*10.0
Operating Temp	-30~+75 $^{\circ}$ C/-45~+85 $^{\circ}$ C
Storage temperature	-50~+90 $^{\circ}$ C

Specifications:

Model No. (X=1: →Clockwise) (X=2: ←Anticlockwise)	Freq. Range MHz	IL. dB (max)	Isolation dB (min)	VSWR	Forward Power CW	Reverse power W
WG2532X-X-100/300-400MHz	300-400(0~+60℃) 300-400(-20~+70℃)	1.00 1.20	10.0 8.0	10.0 8.0	100	100
WG2532X-X-100/350-370MHz	350-370	0.50	20.0	1.20	200	100
WG2532X-X-100/400-410MHz	400-410	0.30	23.0	1.20	200	100
WG2532X-X-100/400-470MHz	400-470	0.50	18.0	1.30	200	100
WG2532X-X-100/400-500MHz	400-500(Room Temp.) 400-500(0-60℃)	0.65 0.80	12.0 10.0	1.67 1.92	100	100
WG2532X-X-100/410-425MHz	410-425	0.30	23.0	1.20	200	100
WG2532X-X-100/430-470MHz	430-470	0.40	20.0	1.25	200	100
WG2532X-X-100/490-510MHz	490-510	0.30	23.0	1.20	200	100
WG2532X-X-100/600-700MHz	600-700	0.40	20.0	1.25	200	100
WG2532X-X-100/690-810MHz	690-810	0.40	20.0	1.25	200	100
WG2532X-X-100/700-750MHz	700-750	0.40	20.0	1.25	200	100
WG2532X-X-100/700-803MHz	700-803	0.40	20.0	1.25	200	100
WG2532X-X-100/700-1000MHz	700-1000 0-60℃	0.90	10.0	1.92	100	100
WG2532X-X-100/750-800MHz	750-800	0.30	23.0	1.20	200	100
WG2532X-X-100/800-850MHz	800-850	0.30	23.0	1.20	200	100
WG2532X-X-100/800-1000MHz	800-1000	0.50	18.0	1.30	200	100
WG2532X-X-100/850-855MHz	850-855	0.25	25.0	1.15	200	100
WG2532X-X-100/850-900MHz	850-900	0.30	23.0	1.20	200	100
WG2532X-X-100/850-960MHz	850-960	0.40	20.0	1.25	200	100
WG2532X-X-100/860-960MHz	860-960	0.40	20.0	1.25	200	100
WG2532X-X-100/900-920MHz	900-920	0.30	23.0	1.20	200	100
WG2532X-X-100/925-960MHz	925-960	0.30	23.0	1.20	200	100
WG2532X-X-100/955-1220MHz	955-1220	0.45	18.0	1.30	200	100



Model No. (X=1: →Clockwise) (X=2: ←Anticlockwise)	Freq. Range MHz	IL. dB (max)	Isolation dB (min)	VSWR	Forward Power CW	Reverse power W
WG2532X-X-100/960-1230MHz	960-1230	0.45	18.0	1.30	200	100
WG2532X-X-100/962-1213MHz	962-1213	0.45	20.0	1.25	200	100
WG2532X-X-100/1000-1100MHz	1000-1100	0.30	23.0	1.20	200	100
WG2532X-X-100/1000-1200MHz	1000-1200	0.40	20.0	1.25	200	100
WG2532X-X-100/1020-1040MHz	1020-1040	0.20	25.0	1.15	200	100
WG2532X-X-100/1020-1100MHz	1020-1100	0.30	23.0	1.20	200	100
WG2532X-X-100/1022-1038MHz	1022-1038	0.20	25.0	1.15	200	100
WG2532X-X-100/1030-1039MHz	1030-1039	0.20	25.0	1.15	200	100
WG2532X-X-100/1030-1090MHz	1030-1090	0.30	23.0	1.20	200	100
WG2532X-X-100/1070-1210MHz	1070-1210	0.40	20.0	1.25	200	100
WG2532X-X-100/1080-1100MHz	1080-1100	0.20	25.0	1.15	200	100
WG2532X-X-100/1100-1300MHz	1100-1300	0.40	20.0	1.25	200	100
WG2532X-X-100/1150-1250MHz	1150-1250	0.30	23.0	1.20	200	100
WG2532X-X-100/1187-1312MHz	1187-1312	0.40	20.0	1.25	200	100
WG2532X-X-100/1200-1300MHz	1200-1300	0.30	23.0	1.20	200	100
WG2532X-X-100/1200-1400MHz	1200-1400	0.40	20.0	1.25	200	100
WG2532X-X-100/1250-1450MHz	1250-1450	0.40	20.0	1.25	200	100
WG2532X-X-100/1301-1438MHz	1301-1438	0.40	20.0	1.25	200	100
WG2532X-X-100/1300-1700MHz	1300-1700	0.40	19.0	1.25	200	100
WG2532X-X-100/1325-1375MHz	1325-1375	0.30	23.0	1.20	200	100
WG2532X-X-100/1400-1600MHz	1400-1600	0.40	20.0	1.25	200	100
WG2532X-X-100/1450-1550MHz	1450-1550	0.30	23.0	1.20	200	100
WG2532X-X-100/1500-1700MHz	1500-1700	0.40	20.0	1.25	200	100
WG2532X-X-100/1500-1800MHz	1500-1800	0.40	20.0	1.25	200	100
WG2532X-X-100/1524-1540MHz	1524-1540	0.20	25.0	1.15	200	100
WG2532X-X-100/1550-1630MHz	1550-1630	0.30	23.0	1.20	200	100
WG2532X-X-100/1550-1650MHz	1550-1650	0.30	23.0	1.20	200	100



Model No. (X=1: →Clockwise) (X=2: ←Anticlockwise)	Freq. Range MHz	IL. dB (max)	Isolation dB (min)	VSWR	Forward Power CW	Reverse power W
WG2532X-X-100/1626-1660MHz	1626-1660	0.20	25.0	1.15	200	100
WG2532X-X-100/1700-1900MHz	1700-1900	0.40	20.0	1.25	200	100
WG2532X-X-100/1700-2000MHz	1700-2000	0.40	19.0	1.25	200	100
WG2532X-X-100/1710-1785MHz	1710-1785	0.30	23.0	1.20	200	100
WG2532X-X-100/1710-2170MHz	1710-2170	0.50	18.0	1.30	200	100
WG2532X-X-100/1800-2000MHz	1800-2000	0.40	20.0	1.25	200	100
WG2532X-X-100/1800-2200MHz	1800-2200	0.50	18.0	1.30	200	100
WG2532X-X-100/1800-2400MHz	1800-2400	0.60	18.0	1.30	200	100
WG2532X-X-100/1805-1880MHz	1805-1880	0.30	23.0	1.20	200	100
WG2532X-X-100/1805-2117MHz	1805-2117	0.40	20.0	1.25	200	100
WG2532X-X-100/1900-2200MHz	1900-2200	0.35	20.0	1.25	200	100
WG2532X-X-100/1920-1990MHz	1920-1990	0.30	23.0	1.20	200	100
WG2532X-X-100/2000-2200MHz	2000-2200	0.40	20.0	1.20	200	100
WG2532X-X-100/2000-2400MHz	2000-2400	0.50	18.0	1.30	200	100
WG2532X-X-100/2000-2500MHz	2000-2500	0.50	18.0	1.30	200	100
WG2532X-X-100/2000-2700MHz	2000-2700	0.70	17.0	1.35	200	100
WG2532X-X-100/2100-2170MHz	2100-2170	0.30	23.0	1.20	200	100
WG2532X-X-100/2100-2700MHz	2100-2700	0.50	18.0	1.35	200	100
WG2532X-X-100/2110-2170MHz	2110-2170	0.30	23.0	1.20	200	100
WG2532X-X-100/2135-2365MHz	2135-2365	0.40	20.0	1.25	200	100
WG2532X-X-100/2200-2300MHz	2200-2300	0.30	23.0	1.20	200	100
WG2532X-X-100/2200-2400MHz	2200-2400	0.40	20.0	1.20	200	100
WG2532X-X-100/2200-2500MHz	2200-2500	0.40	20.0	1.25	200	100
WG2532X-X-100/2300-2400MHz	2300-2400	0.30	23.0	1.20	200	100
WG2532X-X-100/2300-2500MHz	2300-2500	0.40	20.0	1.20	200	100
WG2532X-X-100/2300-2700MHz	2300-2700	0.40	20.0	1.20	200	100
WG2532X-X-100/2400-2500MHz	2400-2500	0.30	23.0	1.20	200	100



Model No. (X=1: →Clockwise) (X=2: ←Anticlockwise)	Freq. Range MHz	IL. dB (max)	Isolation dB (min)	VSWR	Forward Power CW	Reverse power W
WG2532X-X-100/2400-2600MHz	2400-2600	0.40	20.0	1.20	200	100
WG2532X-X-100/2496-2690MHz	2496-2690	0.40	20.0	1.20	200	100
WG2532X-X-100/2500-2700MHz	2500-2700	0.40	20.0	1.20	200	100
WG2532X-X-100/2600-2690MHz	2600-2690	0.30	23.0	1.20	200	100
WG2532X-X-100/2600-2700MHz	2600-2700	0.30	23.0	1.20	200	100
WG2532X-X-100/2700-2900MHz	2700-2900	0.30	20.0	1.20	100	100
WG2532X-X-100/2700-3100MHz	2700-3100	0.40	20.0	1.25	100	100
WG2532X-X-100/2700-3500MHz	2700-3500	0.50	18.0	1.30	100	100
WG2532X-X-100/2750-3150MHz	2750-3150	0.40	20.0	1.25	100	100
WG2532X-X-100/2900-3300MHz	2900-3300	0.40	20.0	1.20	100	100
WG2532X-X-100/2900-3500MHz	2900-3500	0.40	20.0	1.25	100	100
WG2532X-X-100/3000-3600MHz	3000-3600	0.30	20.0	1.25	100	100
WG2532X-X-100/3100-3500MHz	3100-3500	0.40	20.0	1.25	100	100
WG2532X-X-100/3150-3250MHz	3150-3250	0.30	23.0	1.20	100	100
WG2532X-X-100/3300-3600MHz	3300-3600	0.30	20.0	1.20	100	100
WG2532X-X-100/3300-3800MHz	3300-3800	0.40	20.0	1.25	100	100
WG2532X-X-100/3400-3900MHz	3400-3900	0.40	20.0	1.25	100	100
WG2532X-X-100/3400-4200MHz	3400-4200	0.45	19.0	1.25	100	100
WG2532X-X-100/3400-4300MHz	3400-4300	0.50	18.0	1.30	100	100
WG2532X-X-100/3550-3700MHz	3550-3700	0.30	23.0	1.20	100	100
WG2532X-X-100/3600-3800MHz	3600-3800	0.30	23.0	1.20	100	100
WG2532X-X-100/3900-4000MHz	3900-4000	0.30	23.0	1.20	100	100

**If the frequency range you need is not covered in the form.
Please contact us for details.**