

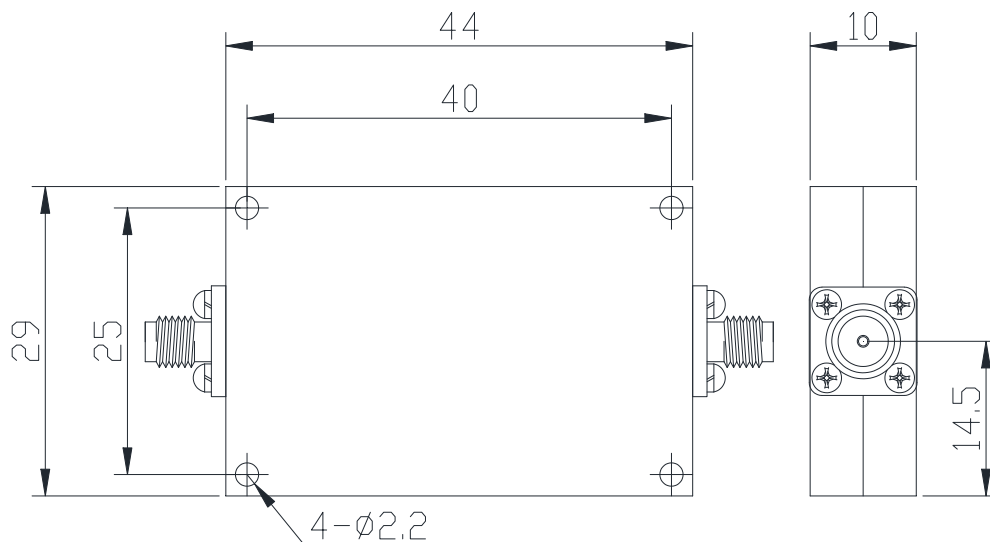
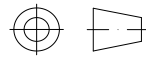


High Pass Filter

Features and Electrical specifications:

Model	HPF-3G18A-S
Frequency Range	3-18 GHz
Insertion Loss	$\leq 2.0\text{dB}@3000-3200\text{MHz}$ $\leq 1.4\text{dB}@3200-18000\text{MHz}$
Rejection	$\geq 40\text{dB}@DC-2.7\text{GHz}$
VSWR	1.67 Max
Rated Power	15 W
Impedance	50 Ω
Connector Type	SMA-F
Dimension	44.0x29.0x10.0mm
Surface Finishing	Black Painting
Operating Temperature	Ordinary temperature
Storage Temperature	-55 ~ +85°C

Outline Drawing (Unit: mm):



RFTYT Technology Co., LTD.

<http://www.rftyt.com>

E-mail : jackson@rftyt.com zqc7708@rftyt.com

TEL: +86-13088268828 FAX: +86-816-2846565

218# Wenwu Middle Road, Jinkai District, Mianyang, Sichuan Province China

Ready For Tackling Your Trouble