

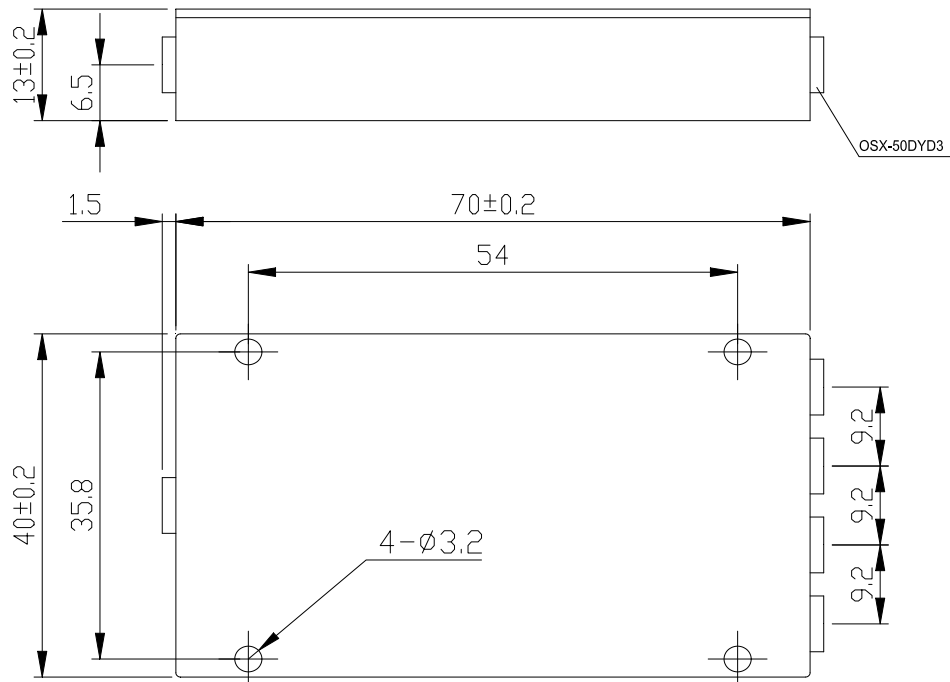


4 Way Power Divider

Features and Electrical specifications:

Model	PD04-F7040-O/950-4000MHz
Frequency Range	950-4000 MHz
Insertion Loss	≤7.5 dB
Isolation	≥18 dB
VSWR	≤1.50
Amplitude Balance	≤0.5 dB
Phase Balance	≤8°
Rated Power	10 W
Impedance	50 Ω
Connector Type	OSX-50DYD3
Dimension	70X40X13 mm
Operating Temperature	-40 ~ +85°C
Weight	70 g
ROHS Compliant	Yes

Outline Drawing (Unit: mm):



RFTYT Technology Co., LTD.

<http://www.rftyt.com>

E-mail : jackson@rftyt.com zqc7708@rftyt.com

TEL: +86-13088268828 FAX: +86-816-2846565

218# Wenwu Middle Road, Jinkai District, Mianyang, Sichuan Province China

Ready For Tackling Your Trouble