

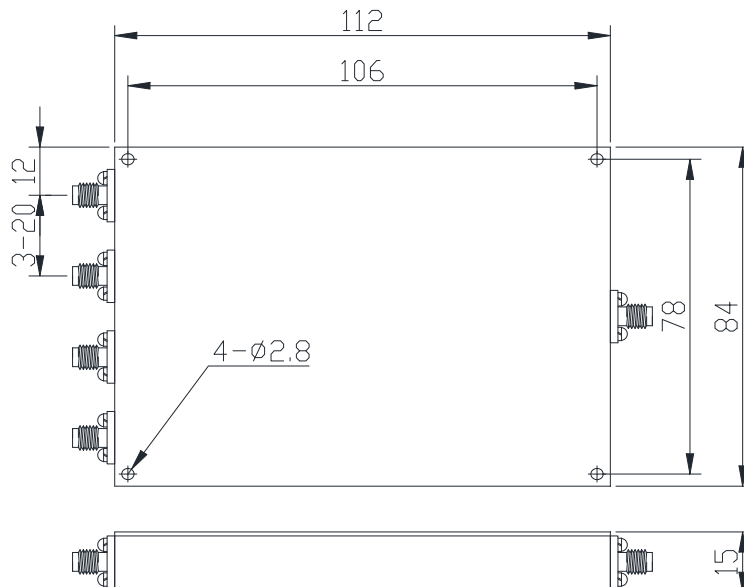


4 Way Power Divider

Features and Electrical specifications:

| | |
|-----------------------|--------------------------|
| Model | PD04-F8411-S/698-6000MHz |
| Frequency Range | 698-6000 MHz |
| Insertion Loss | ≤ 1.8dB |
| Split Loss | 6.0dB |
| Isolation | ≥ 18dB |
| VSWR | 1.45 Max |
| Rated Power | 50 W |
| Impedance | 50 Ω |
| Connector Type | SMA-F |
| Waterproof Grade | IP65 |
| Relative Humidity | ≤ 95% |
| Surface Finishing | Black Painting |
| Operating Temperature | -20 ~ +60°C |
| ROHS Compliant | Yes |

Outline Drawing (Unit: mm):



RFTYT Technology Co., LTD.

<http://www.rfyt.com>

E-mail : jackson@rfyt.com zqc7708@rfyt.com

TEL: +86-13088268828 FAX: +86-816-2846565

218# Wenwu Middle Road, Jinkai District, Mianyang, Sichuan Province China

Ready For Tackling Your Trouble