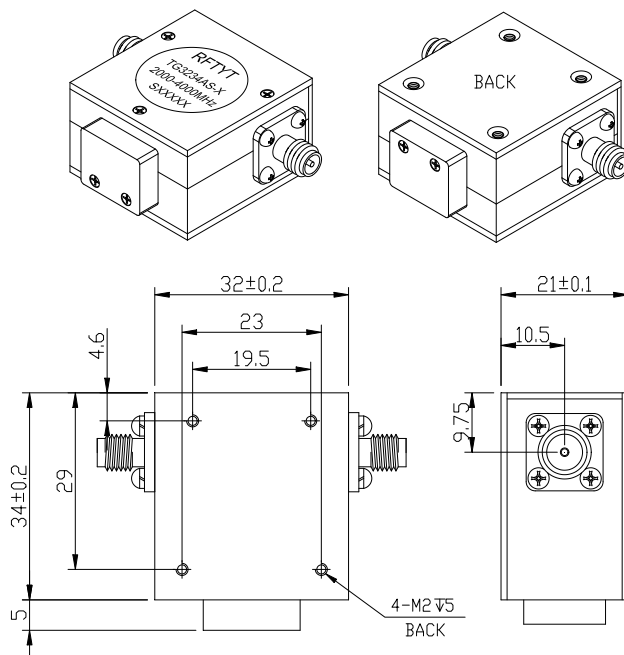


2.0 to 4.0GHz Coaxial Isolator

TG3234AS SMA Type

Outline Drawing (mm): 



Features:

- ◇ Good temperature stability
- ◇ Withstand high power
- ◇ RoHS compliant
- ◇ Weight : ≈ 100 g

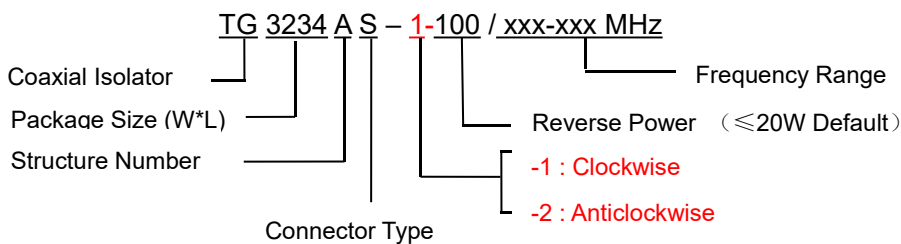
Material list:

- ◇ Cavity: aluminum conductive oxidation
- Outer shell: industrial pure iron nickel plating
- ◇ Guide body: Silver plated brass
- ◇ Load chamber: aluminum conductive oxidation

Application:

- ◇ Rf amplifier final stage, protect the amplifier
- ◇ Medium capacity microwave communication
- ◇ High capacity microwave relay Communication
- ◇ GSM/CDMA/TD-SCDMA/WCDMA EGSM/Wimax/TD-LTE/AMPS/SMR 5G and other communication systems

Order Examples:



Connector Type:

SMA Type Connector Options			N Type Connector Options		
Port 1	Port 2	Abbreviation	Port 1	Port 2	Abbreviation
SMA-F	SMA-F	S	N-F	N-F	N
SMA-F	SMA-M	SKJ	N-F	N-M	NKJ
SMA-M	SMA-F	SJK	N-M	N-F	NJK
SMA-M	SMA-M	SJ	N-M	N-M	NJ

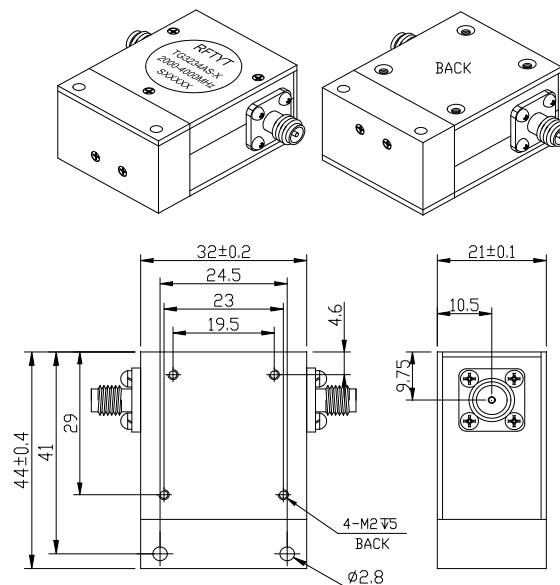
Basic Specifications :

Impedance	50 Ω
Connector Type	SMA-F
Size(mm)	32.0*34.0*21.0
Operating Temp	-10~+60℃
Storage temperature	-50~+90℃

Specifications :

Model No. (X=1: →Clockwise) (X=2: ←Anticlockwise)	Freq. Range GHz	IL dB (max)	Isolation dB (min)	VSWR	Forward Power CW	Reverse Power W
TG3234AS-X/2.0-3.0GHz	2.0-3.0	0.40	18.0	1.30	100	20/100
TG3234AS-X/2.0-3.5GHz	2.0-3.5	0.40	18.0	1.30	100	20/100
TG3234AS-X/2.0-4.0GHz	2.0-4.0	0.50	18.0	1.30	100	20/100
TG3234AS-X/2.5-3.5GHz	2.5-3.5	0.40	20.0	1.25	100	20/100
TG3234AS-X/2.5-4.0GHz	2.5-4.0	0.40	18.0	1.30	100	20/100

Reverse power 100W size type



The reflected power of this figure is 100W, the indicators are the same as the table, model
TG3234AS-X-100/XXX-XXXMHz



Instructions:

- 1, the isolator connector can be selected SMA, N, male and female head can be used with the user;
- 2, the reflection power is commonly used 20W and 100W options, you can also configure the total reflection power according to user requirements;
- 3, only some common frequencies in the table, can be produced according to the user's requirements;
- 4, if you do not find what you are looking for, please contact us!