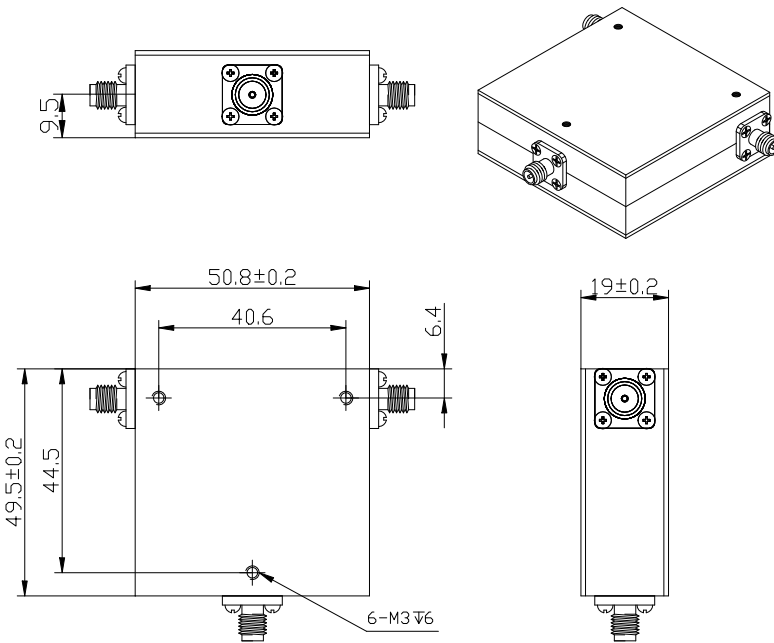
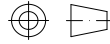


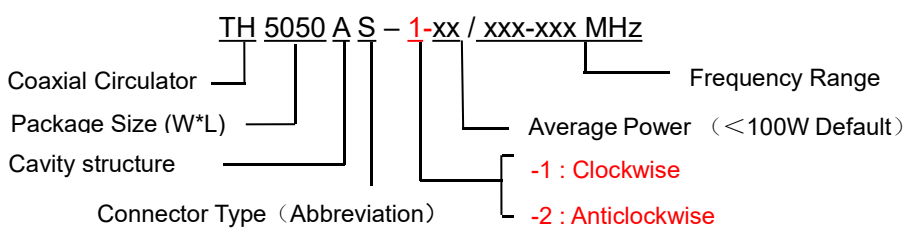
## 1.25 to 3.0GHz Coaxial Circulator

### TH5050AS SMA Type

#### Outline Drawing (mm):



#### Order Examples:



#### Connector Type:

SMA Type Connector Options				N Type Connector Options			
Port 1	Port 2	Port 3	Abbreviation	Port 1	Port 2	Port 3	Abbreviation
K	K	K	S	K	K	K	N
K	J	J	SKJJ	K	J	J	NKJJ
J	K	J	SJKJ	J	K	J	NJKJ
K	K	J	SKKJ	K	K	J	NKKJ
J	J	J	SJ	J	J	J	NJ

#### Features:

- ◇ Good temperature stability
- ◇ Withstand high power
- ◇ RoHS compliant
- ◇ Weight :  $\approx$  320 g

#### Material list:

- ◇ Cavity: aluminum conductive oxidation
- ◇ Outer shell: industrial pure iron nickel plating
- ◇ Inner conductor: silver plated brass
- ◇ Connector housing: gold plated brass

#### Application:

- ◇ Rf amplifier final stage, protect the amplifier
- ◇ Common transceiver antenna
- ◇ Medium capacity microwave communication
- ◇ GSM/CDMA/TD-SCDMA/WCDMA
- ◇ EGSM/Wimax/TD-LTE/AMPS/SMR
- ◇ 5G and other communication systems



### Basic Specifications :

Impedance	50 Ω
Forward Power	100W
Connector Type	SMA-K
Size(mm)	49.5*50.8*19.0
Operating Temp	-10~+60℃
Storage temperature	-50~+90 ℃

### Specifications :

Model No. (X=1: →Clockwise) (X=2: ←Anticlockwise)	Freq. Range GHz	IL. dB (max)	Isolation dB (min)	VSWR (max)	POWER W
TH5050AS-X/1250-2500MHz	1.25-2.5	0.80	16.0	1.50	100
TH5050AS-X/1350-2700MHz	1.35-2.7	0.70	17.0	1.35	100
TH5050AS-X/1350-2900MHz	1.35-2.9	0.70	17.0	1.35	100
TH5050AS-X/1400-2800MHz	1.4-2.8	0.70	17.0	1.35	100
TH5050AS-X/1500-2500MHz	1.5-2.5	0.70	17.0	1.35	100
TH5050AS-X/1500-3000MHz	1.5-3.0	0.70	17.0	1.35	100

### Instructions :

- 1, The circulator connector can be selected SMA, N male and female head can be used with the user;
- 2, The circulator only provides through power, indicating that the transmission to the antenna and the antenna to the receiving are through power;
- 3, Only some common frequencies in the table, can be produced according to the user's requirements;
- 4, If you do not find what you are looking for, please contact us!