

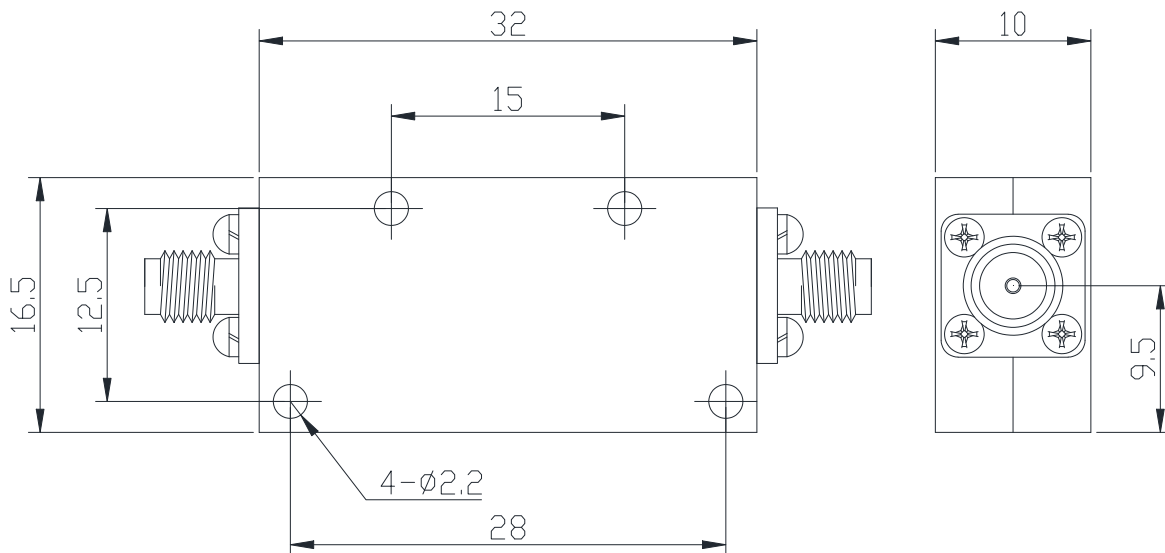
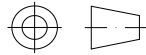


High Pass Filter

Features and Electrical specifications:

Model	HPF-3.1G18A-S
Frequency Range	3.1-18GHz
Insertion Loss	$\leq 1.5\text{dB}$
Rejection	$\geq 50\text{dB}@DC-2.48\text{GHz}$
VSWR	1.5 Max
Rated Power	10 W
Impedance	50 Ω
Connector Type	SMA-F
Dimension	32.0x16.5x10.0mm
Surface Finishing	Black Painting
Operating Temperature	Ordinary temperature
Storage Temperature	-55 ~ +85°C

Outline Drawing (Unit: mm):



RFTYT Technology Co., LTD.

<http://www.rftyt.com>

E-mail : jackson@rftyt.com zqc7708@rftyt.com

TEL: +86-13088268828 FAX: +86-816-2846565

218# Wenwu Middle Road, Jinkai District, Mianyang, Sichuan Province China

Ready For Tackling Your Trouble