

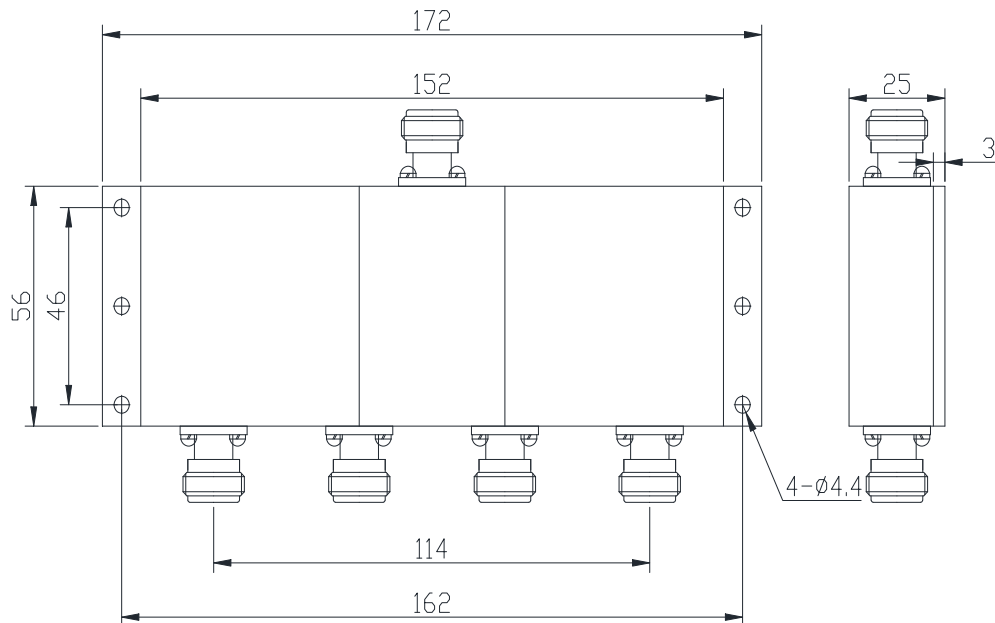
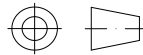


## 4 Way Power Divider

### Features and Electrical specifications:

Model	PD04-F1756-S/700-3000MHz	
Frequency Range	700-3000 MHz	
Insertion Loss	≤1.20dB	
Isolation	18 dB min	
VSWR	Input: 1.40 Max	Output: 1.30 Max
Amplitude Unbalance	±0.35 dB	
Phase Unbalance	± 5°	
Rated Power	Forward Power: 50 W	Reverse Power: 5 W
Impedance	50 Ω	
Connector Type	SMA-F	
Dimension	172.0X56.0X25.0 mm	
Surface Finishing	Grey Painting	
Operating Temperature	-45 ~ +85°C	
ROHS Compliant	Yes	

### Outline Drawing (Unit: mm):



**RFTYT Technology Co., LTD.**

<http://www.rftyt.com>

E-mail : [jackson@rftyt.com](mailto:jackson@rftyt.com)      [zqc7708@rftyt.com](mailto:zqc7708@rftyt.com)

TEL: +86-13088268828      FAX: +86-816-2846565

218# Wenwu Middle Road, Jinkai District, Mianyang, Sichuan Province China

**Ready For Tackling Your Trouble**