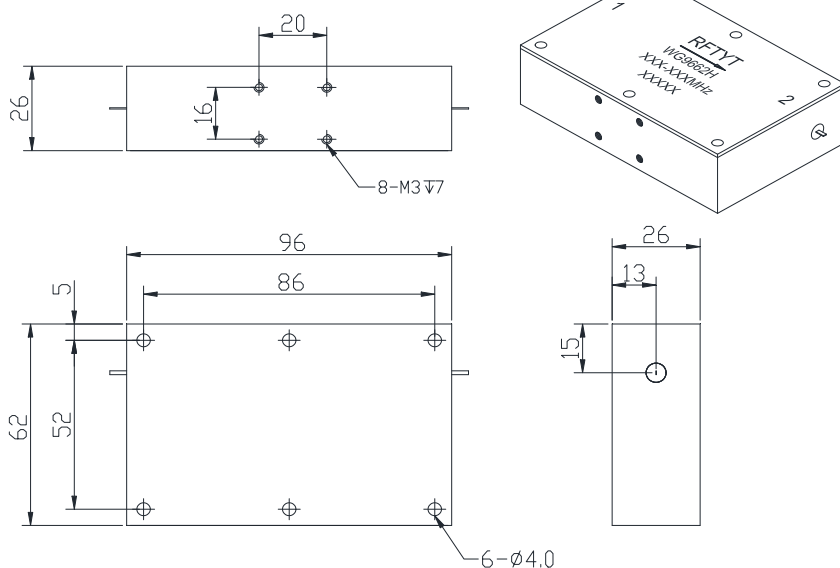


## 300 to 1250MHz Dual Junction Drop in Isolator

### WG9662H Strip Line Type

#### Outline Drawing (mm):



#### Features:

- ◇ Good temperature stability
- ◇ Withstand high power
- ◇ RoHS compliant
- ◇ Weight : ≈ g

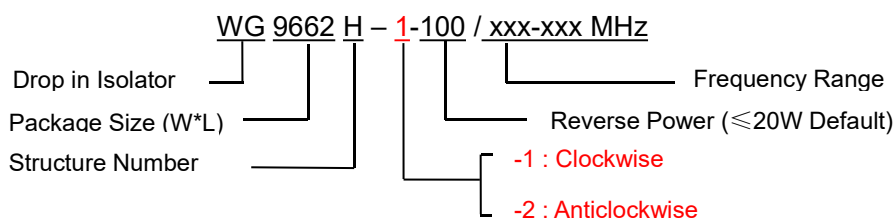
#### Material list:

- ◇ Cavity: aluminum conductive oxidation
- ◇ Outer shell: industrial pure iron nickel plating
- ◇ Guide body: Silver plated brass
- ◇ Load chamber: aluminum conductive oxidation

#### Application:

- ◇ Rf amplifier final stage, protect the amplifier
- ◇ Digital communication
- ◇ Satellite communication
- ◇ Mobile communication

#### Order Examples:



#### Basic Specifications:

Impedance	50 $\Omega$
Connection type	Strip Line
Size(mm)	96.0*62.0*26.0
Operating Temp	-30~+70 °C/-40~+85 °C
Storage temperature	-50~+90 °C

**Specifications:**

<b>Model No.</b> (X=1: →Clockwise) (X=2: ←Anticlockwise)	<b>Freq. Range</b> <b>MHz</b>	<b>IL.</b> <b>dB (max)</b>	<b>Isolation</b> <b>dB (min)</b>	<b>VSWR</b>	<b>Forward Power</b> <b>CW</b>	<b>Reverse Power</b> <b>W</b>
WG9662H-X/300-320MHz	300-320	1.2	40	1.25	100	20
WG9662H-X/300-350MHz	300-350	1.6	36	1.35	100	20
WG9662H-X/309-339MHz	309-339	1.0	40	1.25	100	20
WG9662H-X/310-340MHz	310-340	1.0	40	1.25	100	20
WG9662H-X/320-340MHz	320-340	0.9	40	1.25	100	20
WG9662H-X/350-370MHz	350-370	0.8	40	1.25	100	20
WG9662H-X/350-400MHz	350-400	1.0	38	1.25	100	20
WG9662H-X/361-366MHz	361-366	0.6	46	1.20	100	20
WG9662H-X/370-420MHz	370-420	1.0	38	1.25	100	20
WG9662H-X/380-410MHz	380-410	0.8	40	1.25	100	20
WG9662H-X/380-460MHz	380-460	1.0	36	1.30	100	20
WG9662H-X/390-410MHz	390-410	0.6	46	1.20	100	20
WG9662H-X/400-410MHz	400-410	0.6	46	1.20	100	20
WG9662H-X/400-440MHz	400-440	0.8	40	1.25	100	20
WG9662H-X/400-450MHz	400-450	0.8	40	1.25	100	20
WG9662H-X/400-470MHz	400-470	0.8	40	1.25	100	20
WG9662H-X/400-500MHz	400-500	1.0	38	1.25	100	20
WG9662H-X/410-460MHz	410-460	0.8	40	1.25	100	20
WG9662H-X/413-419MHz	413-419	0.6	50	1.15	100	20
WG9662H-X/419-425MHz	419-425	0.6	50	1.15	100	20
WG9662H-X/420-450MHz	420-450	0.8	40	1.25	100	20
WG9662H-X/420-480MHz	420-480	0.8	40	1.25	100	20
WG9662H-X/425-475MHz	425-475	0.8	40	1.25	100	20
WG9662H-X/429-439MHz	429-439	0.6	50	1.15	100	20
WG9662H-X/430-440MHz	430-440	0.6	46	1.20	100	20



Model No. (X=1: →Clockwise) (X=2: ←Anticlockwise)	Freq. Range MHz	IL. dB (max)	Isolation dB (min)	VSWR	Forward Power CW	Reverse Power W
WG9662H-X/430-460MHz	430-460	0.8	40	1.25	100	20
WG9662H-X/430-470MHz	430-470	0.8	40	1.25	100	20
WG9662H-X/433-457MHz	433-457	0.6	46	1.20	100	20
WG9662H-X/435-437MHz	435-437	0.6	46	1.20	100	20
WG9662H-X/440-470MHz	440-470	0.6	46	1.20	100	20
WG9662H-X/447-499MHz	447-499	0.6	46	1.20	100	20
WG9662H-X/450-456MHz	450-456	0.6	50	1.15	100	20
WG9662H-X/450-500MHz	450-500	0.8	40	1.25	100	20
WG9662H-X/450-520MHz	450-520	0.8	40	1.25	100	20
WG9662H-X/450-550MHz	450-550	0.8	40	1.25	100	20
WG9662H-X/455-465MHz	455-465	0.6	50	1.15	100	20
WG9662H-X/459-486MHz	459-486	0.6	46	1.20	100	20
WG9662H-X/470-490MHz	470-490	0.6	40	1.20	100	20
WG9662H-X/470-530MHz	470-530	0.8	40	1.20	100	20
WG9662H-X/470-570MHz	470-570	0.8	40	1.25	100	20
WG9662H-X/470-610MHz	470-610	1.0	36	1.30	100	20
WG9662H-X/475-525MHz	475-525	0.6	46	1.20	100	20
WG9662H-X/495-516MHz	495-516	0.6	46	1.20	100	20
WG9662H-X/500-600MHz	500-600	0.8	40	1.20	100	20
WG9662H-X/500-700MHz	500-700	1.4	35	1.35	100	20
WG9662H-X/570-670MHz	570-670	0.6	46	1.20	100	20
WG9662H-X/580-720MHz	580-720	0.9	40	1.25	100	20
WG9662H-X/600-700MHz	600-700	0.8	40	1.25	100	20
WG9662H-X/670-770MHz	670-770	0.6	46	1.20	100	20
WG9662H-X/690-860MHz	690-860	0.8	40	1.20	100	20
WG9662H-X/700-862MHz	700-862	0.8	40	1.25	100	20
WG9662H-X/700-900MHz	700-900	1.0	36	1.30	100	20



Model No. (X=1: →Clockwise) (X=2: ←Anticlockwise)	Freq. Range MHz	IL. dB (max)	Isolation dB (min)	VSWR	Forward Power CW	Reverse Power W
WG9662H-X/703-862MHz	703-862	0.8	40	1.25	100	20
WG9662H-X/770-860MHz	770-860	0.6	46	1.20	100	20
WG9662H-X/600-800MHz	600-800	1.0	36	1.30	100	20
WG9662H-X/700-1000MHz	700-1000	1.2	32	1.40	100	20
WG9662H-X/750-950MHz	750-950	0.8	40	1.25	100	20
WG9662H-X/800-1000MHz	800-1000	0.8	40	1.25	100	20
WG9662H-X/854-921MHz	854-921	0.6	40	1.20	100	20
WG9662H-X/860-872MHz	860-872	0.5	50	1.15	100	20
WG9662H-X/862-960MHz	862-960	0.6	50	1.20	100	20
WG9662H-X/900-930MHz	900-930	0.5	50	1.15	100	20
WG9662H-X/900-1000MHz	900-1000	0.6	46	1.20	100	20
WG9662H-X/900-1100MHz	900-1100	0.8	40	1.25	100	20
WG9662H-X/950-1000MHz	950-1000	0.6	46	1.20	100	20
WG9662H-X/950-1250MHz	950-1250	0.9	40	1.25	100	20

#### Instructions:

- 1, The isolator reflected power of 20W;
- 2, Only some common frequencies in the table, can be produced according to user requirements;
- 3, Embedded isolator, please use stainless steel or brass screws when installing;
- 4, If you do not find the frequency you want, please contact us!