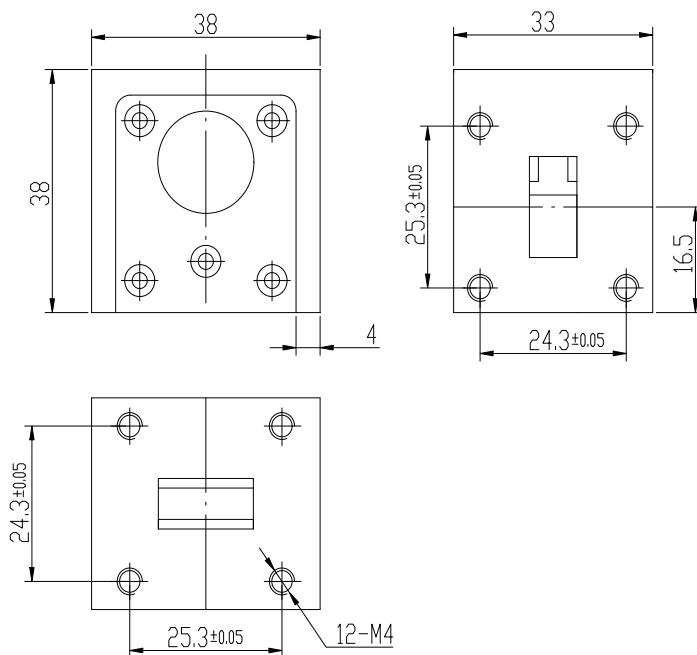


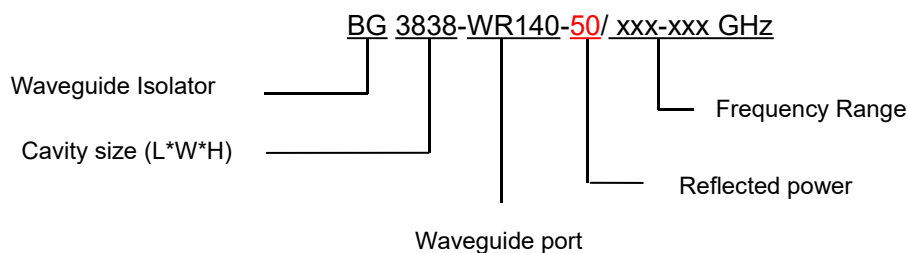
15.0-18.0GHz Waveguide Isolator

BG3838-WR140

Outline Drawing (mm): 



Order Examples:



Basic Specifications:

Impedance	50 Ω
Connector Type	WR140
Size(mm)	38*38*33 (As shown in the figure)
Operating Temp	-40~+80 °C



Specifications:

Model No. (X=1: →Clockwise) (X=2: ←Anticlockwise)	Freq. Range GHz	bandwidth	IL. dB (max)	Isolation dB (min)	VSWR (max)
BG3838-WR140/15.0-18.0GHz	15.0-18.0	FULL	0.40	20.0	1.25

Instructions:

1, If you do not have the frequency you want, please contact us!