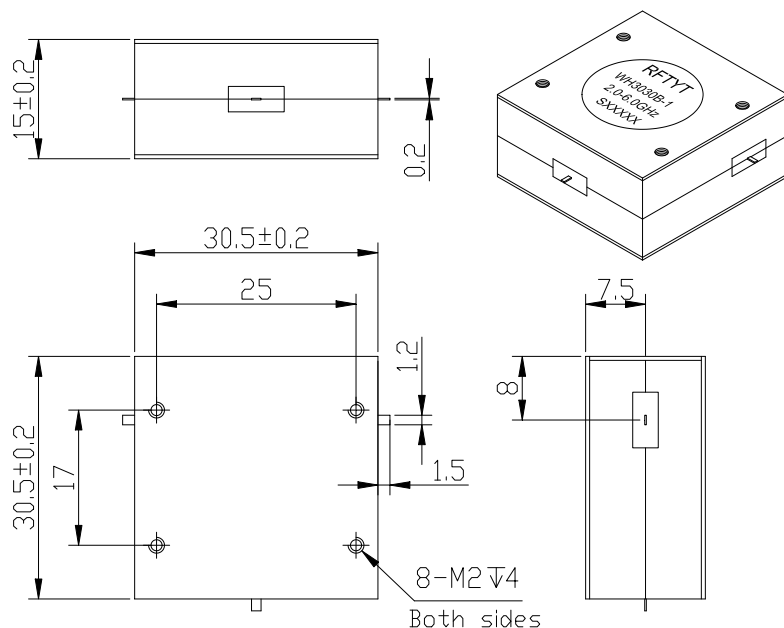


## 2.0 to 6.0GHz Drop in Circulator

### WH3030B Strip Line Type

#### Outline Drawing (mm):



#### Features:

- ✧ Good temperature stability
- ✧ Withstand high power
- ✧ RoHS compliant
- ✧ Weight :  $\approx$  110g

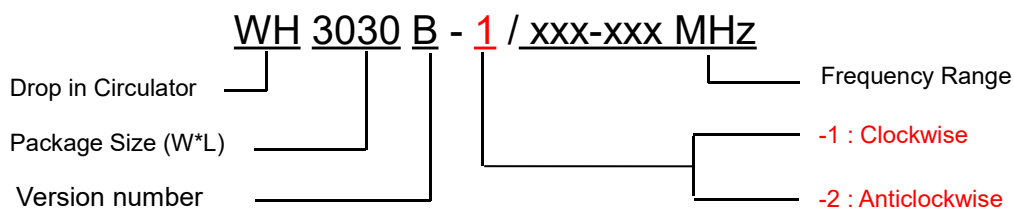
#### Material list:

- ✧ Cavity: aluminum conductive oxidation
- ✧ Housing: Industrial pure iron nickel plated
- ✧ Conductor: silver plated brass

#### Application:

- ✧ Rf amplifier final stage, protect the amplifier
- ✧ Common transceiver antenna
- ✧ Digital communication
- ✧ Satellite communication
- ✧ Mobile communication

#### Order Examples:



#### Basic Specifications:

Impedance	50 $\Omega$
Operating temperature	-10~+60 $^{\circ}$ C
Storage temperature	-40~+70 $^{\circ}$ C
Size(mm)	30.5*30.5*15.0

### Specifications:

<b>Model No</b> (X=1: →Clockwise) (X=2: ←Anticlockwise)	<b>Freq. Range</b> <b>GHz</b>	<b>Insertion Loss</b> <b>dB (max)</b>	<b>Isolation dB</b> <b>(min)</b>	<b>VSWR</b> <b>(max)</b>	<b>Power</b> <b>W</b>
WH3030B-X/2.0-6.0GHz	2.0-6.0	0.85	12.0	1.50	50
		1.70	12.0	1.60	50

### Instructions:

- 1, The circulator only provides through power, indicating that the transmission to the antenna and the antenna to the receiving are through power;
- 2, Only some common frequencies in the table, can be produced according to user requirements;
- 3, Embedded circulator, please use stainless steel or brass screws when installing;
- 4, If you do not find what you are looking for, please contact us!