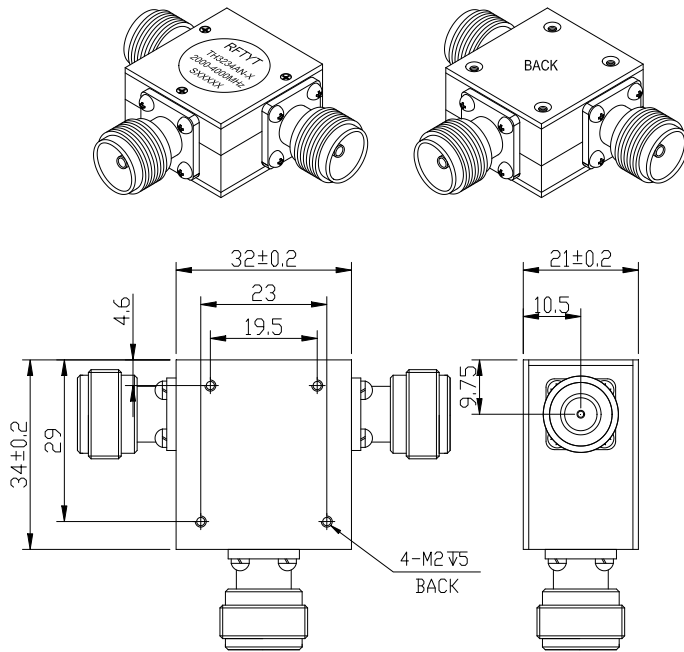
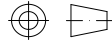


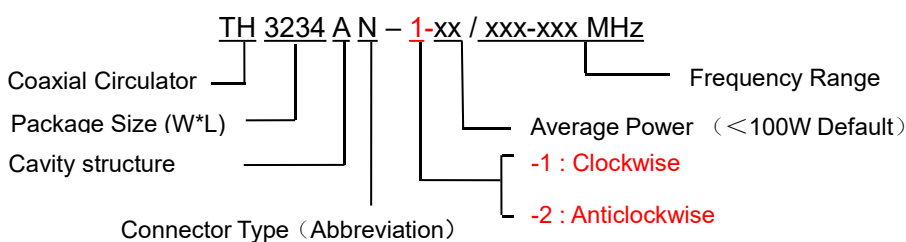
2.0 to 4.0GHz Coaxial Circulator

TH3234AN N Type

Outline Drawing (mm):



Order Examples:



Features:

- ◇ Good temperature stability
- ◇ Withstand high power
- ◇ RoHS compliant
- ◇ Weight : ≈105 g

Material list:

- ◇ Cavity: aluminum conductive oxidation
- ◇ Outer shell: industrial pure iron nickel plating
- ◇ Guide body: Silver plated brass
- ◇ Connector housing: brass nickel-plated

Application:

- ◇ Rf amplifier final stage, protect the amplifier
- ◇ Common transceiver antenna
- ◇ Medium capacity microwave communication
- ◇ High capacity relay communication



Connector Type:

SMA Type Connector Options				N Type Connector Options			
Port 1	Port 2	Port 3	Abbreviation	Port 1	Port 2	Port 3	Abbreviation
K	K	K	S	K	K	K	N
K	J	J	SKJJ	K	J	J	NKJJ
J	K	J	SJKJ	J	K	J	NJKJ
K	K	J	SKKJ	K	K	J	NKKJ
J	J	J	SJ	J	J	J	NJ

Basic Specifications :

Impedance	50 Ω
Forward Power	150W
Connector Type	N-K
Size(mm)	32.0*34.0*21.0
Operating Temp	-10~+60 $^{\circ}$ C
Storage temperature	-50~+90 $^{\circ}$ C

Specifications :

Model No. (X=1: \rightarrow Clockwise) (X=2: \leftarrow Anticlockwise)	Freq. Range GHz	IL. dB (max)	Isolation dB (min)	VSWR (max)	POWER W
TH3234AN-X/2000-3000MHz	2.0-3.0	0.40	18.0	1.30	150
TH3234AN-X/2000-3500MHz	2.0-3.5	0.40	18.0	1.30	150
TH3234AN-X/2000-4000MHz	2.0-4.0	0.50	18.0	1.30	150
TH3234AN-X/2500-3500MHz	2.5-3.5	0.40	20.0	1.25	150
TH3234AN-X/2500-4000MHz	2.5-4.0	0.40	18.0	1.30	150