

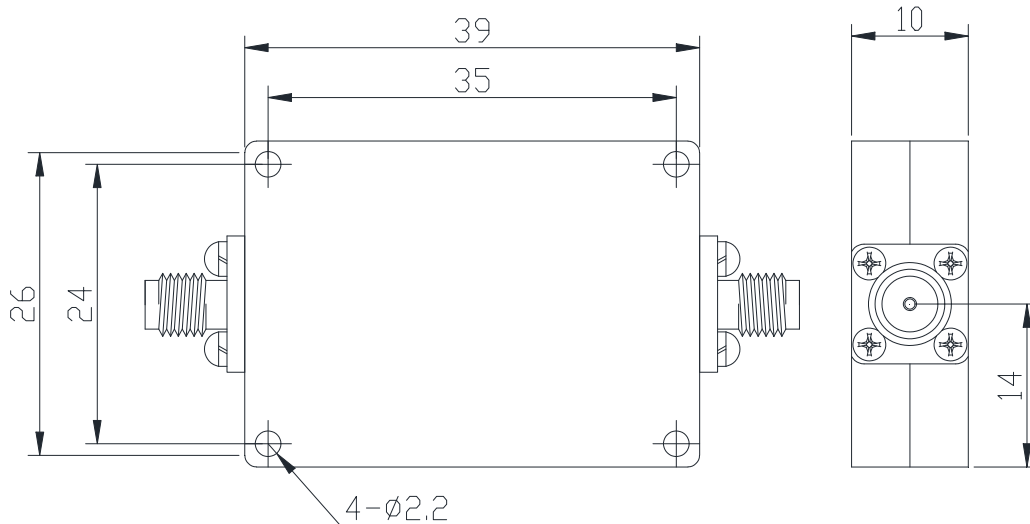
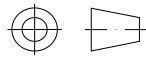


## High Pass Filter

### Features and Electrical specifications:

Model	HPF-4.2G12.75A-S
Frequency Range	4.2-12.75 GHz
Insertion Loss	≤2.0dB
Rejection	≥40dB@DC-3.8GHz
VSWR	1.7 Max
Rated Power	15 W
Impedance	50 Ω
Connector Type	SMA-F
Dimension	39.0x28.0x10.0mm
Surface Finishing	Black Painting
Operating Temperature	Ordinary temperature
Storage Temperature	-55 ~ +85°C

Outline Drawing (Unit: mm):



**RFTYT Technology Co., LTD.**

<http://www.rftyt.com>

E-mail : [jackson@rftyt.com](mailto:jackson@rftyt.com)      [zqc7708@rftyt.com](mailto:zqc7708@rftyt.com)

TEL: +86-13088268828      FAX: +86-816-2846565

218# Wenwu Middle Road, Jinkai District, Mianyang, Sichuan Province China

**Ready For Tackling Your Trouble**