

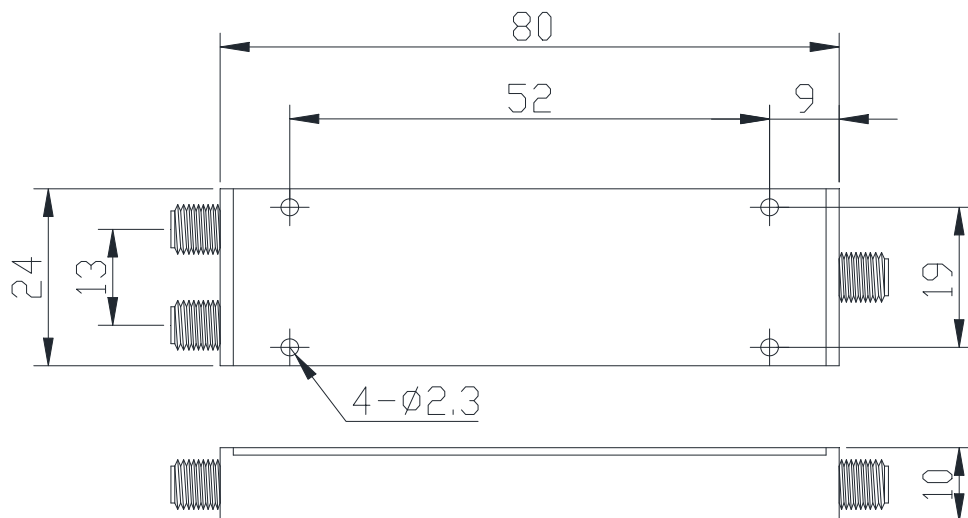


2 Way Power Divider

Features and Electrical specifications:

| | | |
|-----------------------|------------------------|---------------------|
| Model | PD02-F2480-S/1-12.4GHz | |
| Frequency Range | 1-12.4 GHz | |
| Insertion Loss | ≤1.5dB | |
| Isolation | 16 dB min | |
| VSWR | Input : 1.40 Max | Output 1.30 Max |
| Amplitude Unbalance | ±0.4 dB | |
| Phase Unbalance | ± 6° | |
| Rated Power | Forward Power : 20 W | Reverse Power : 1 W |
| Impedance | 50 Ω | |
| Connector Type | SMA-F | |
| Dimension | 80.0X24.0X10.0 mm | |
| Surface Finishing | Grey Painting | |
| Operating Temperature | -45~ +85°C | |
| ROHS Compliant | Yes | |

Outline Drawing (Unit: mm):



RFTYT Technology Co., LTD.

<http://www.rfyt.com>

E-mail : jackson@rfyt.com zqc7708@rfyt.com

TEL: +86-13088268828 FAX: +86-816-2846565

218# Wenwu Middle Road, Jinkai District, Mianyang, Sichuan Province China

Ready For Tackling Your Trouble