

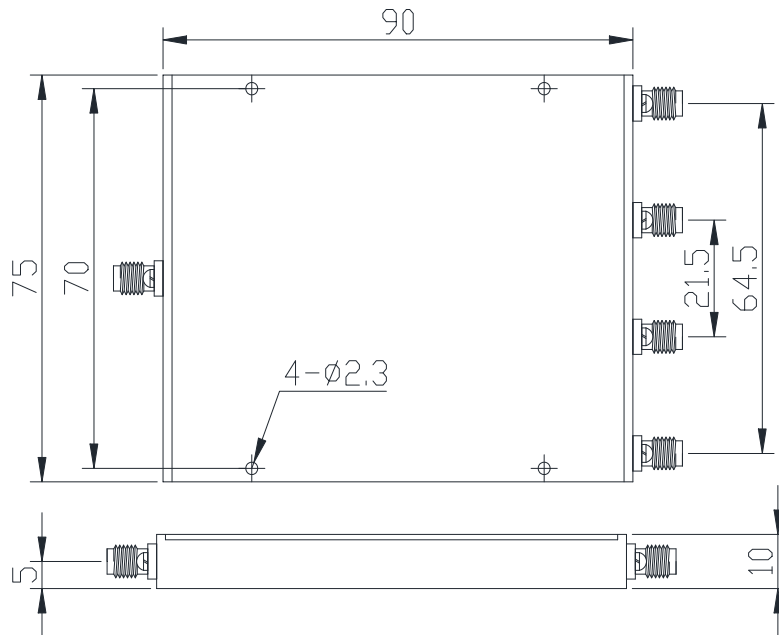
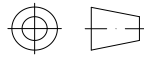


## 4 Way Power Divider

### Features and Electrical specifications:

Model	PD04-F7590-S/1-12.4GHz	
Frequency Range	1-12.4 GHz	
Insertion Loss	≤2.8dB	
Isolation	16 dB Min	
VSWR	Input: 1.70 Max	Output: 1.50 Max
Amplitude Unbalance	±0.5 dB	
Phase Unbalance	± 7°	
Rated Power	Forward Power: 20 W	Reverse Power: 1 W
Impedance	50 Ω	
Connector Type	SMA-F	
Dimension	90.0X75.0X10.0 mm	
Surface Finishing	Grey Painting	
Operating Temperature	-45 ~ +85°C	
ROHS Compliant	Yes	

Outline Drawing (Unit: mm):



**RFTYT Technology Co., LTD.**

<http://www.rfyt.com>

E-mail : [jackson@rfyt.com](mailto:jackson@rfyt.com)      [zqc7708@rfyt.com](mailto:zqc7708@rfyt.com)

TEL: +86-13088268828      FAX: +86-816-2846565

218# Wenwu Middle Road, Jinkai District, Mianyang, Sichuan Province China

**Ready For Tackling Your Trouble**