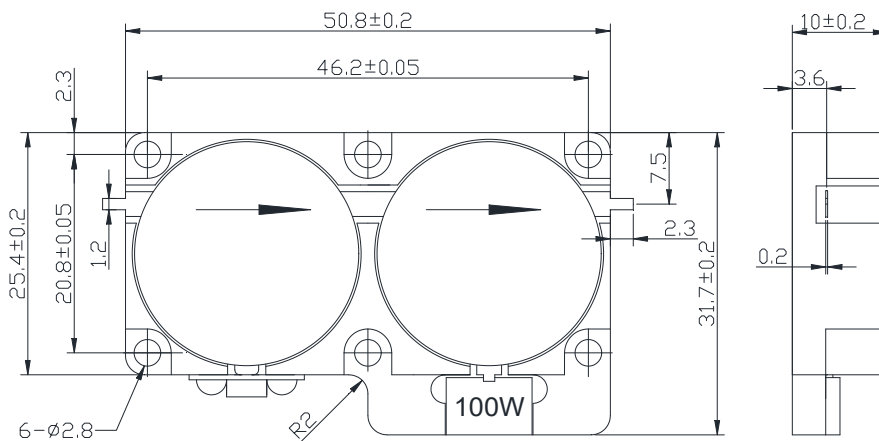


350 to 4300MHz Dual Junction Drop in Isolator

WG5025X Strip Line Type

Outline Drawing (mm):



Features:

- ◇ Good temperature stability
- ◇ Withstand high power
- ◇ RoHS compliant
- ◇ Weight : ≈ 75 g

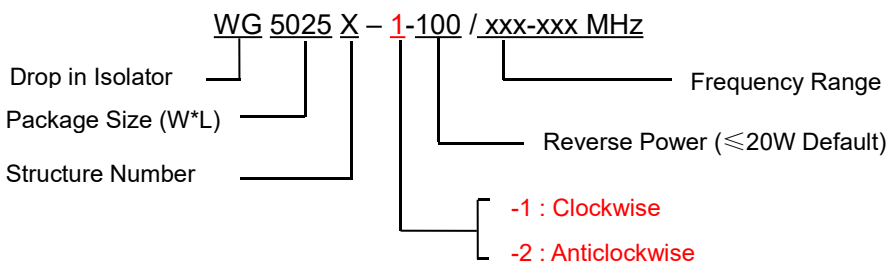
Material list:

- ◇ Shell: easy to cut iron plated nickel
- ◇ Guide body: Silver plated brass
- ◇ Load chamber: aluminum conductive oxidation

Application:

- ◇ Rf amplifier final stage, protect the amplifier
- ◇ Digital communication
- ◇ Satellite communication
- ◇ Mobile communication

Order Examples:



Basic Specifications:

Impedance	50 Ω
Connection type	Strip Line
Size(mm)	50.8*25.4*10.0
Operating Temp	-30~+70 $^{\circ}$ C / -40~+85 $^{\circ}$ C
Storage temperature	-50~+90 $^{\circ}$ C



Specifications:

Model No. (X=1: →Clockwise) (X=2: ←Anticlockwise)	Freq. Range MHz	IL. dB (max)	Isolation dB (min)	VSWR	Forward Power CW	Reverse Power W
WG5025X-X/350-370MHz	350-370	1.0	40	1.20	200	20
WG5025X-X/400-410MHz	400-410	0.6	46	1.20	200	20
WG5025X-X/400-470MHz	400-470	1.0	36	1.30	200	20
WG5025X-X/400-500MHz	400-500	1.2	32	1.40	200	20
WG5025X-X/410-425MHz	410-425	0.6	46	1.20	200	20
WG5025X-X/430-470MHz	430-470	0.8	40	1.25	200	20
WG5025X-X/490-510MHz	490-510	0.6	46	1.20	200	20
WG5025X-X/600-700MHz	600-700	0.8	40	1.25	300	20
WG5025X-X/690-810MHz	690-810	0.8	40	1.25	300	20
WG5025X-X/700-750MHz	700-750	0.8	40	1.25	300	20
WG5025X-X/700-803MHz	700-803	0.8	40	1.25	300	20
WG5025X-X/750-800MHz	750-800	0.6	46	1.20	300	20
WG5025X-X/800-850MHz	800-850	0.6	46	1.20	300	20
WG5025X-X/800-1000MHz	800-1000	1.0	36	1.30	300	20
WG5025X-X/850-855MHz	850-855	0.5	50	1.15	300	20
WG5025X-X/850-900MHz	850-900	0.6	46	1.20	300	20
WG5025X-X/850-960MHz	850-960	0.8	40	1.25	300	20
WG5025X-X/860-960MHz	860-960	0.8	40	1.25	300	20
WG5025X-X/900-920MHz	900-920	0.6	46	1.20	200	20
WG5025X-X/925-960MHz	925-960	0.6	46	1.20	200	20
WG5025X-X/955-1220MHz	955-1220	0.9	36	1.30	300	20
WG5025X-X/960-1230MHz	960-1230	0.9	36	1.30	300	20
WG5025X-X/962-1213MHz	962-1213	0.9	40	1.25	300	20
WG5025X-X/1000-1100MHz	1000-1100	0.6	46	1.20	200	20
WG5025X-X/1000-1200MHz	1000-1200	0.8	40	1.25	200	20



Model No. (X=1: →Clockwise) (X=2: ←Anticlockwise)	Freq. Range MHz	IL. dB (max)	Isolation dB (min)	VSWR	Forward Power CW	Reverse Power W
WG5025X-X/1020-1040MHz	1020-1040	0.4	50	1.15	200	20
WG5025X-X/1020-1100MHz	1020-1100	0.6	46	1.20	200	20
WG5025X-X/1022-1038MHz	1022-1038	0.4	50	1.15	200	20
WG5025X-X/1030-1039MHz	1030-1039	0.4	50	1.15	200	20
WG5025X-X/1030-1090MHz	1030-1090	0.6	46	1.20	200	20
WG5025X-X/1070-1210MHz	1070-1210	0.8	40	1.25	300	20
WG5025X-X/1080-1100MHz	1080-1100	0.4	50	1.15	200	20
WG5025X-X/1100-1300MHz	1100-1300	0.8	40	1.25	300	20
WG5025X-X/1150-1250MHz	1150-1250	0.6	46	1.20	200	20
WG5025X-X/1187-1312MHz	1187-1312	0.8	40	1.25	300	20
WG5025X-X/1200-1300MHz	1200-1300	0.6	46	1.20	200	20
WG5025X-X/1200-1400MHz	1200-1400	0.8	40	1.25	300	20
WG5025X-X/1250-1450MHz	1250-1450	0.8	40	1.25	300	20
WG5025X-X/1301-1438MHz	1301-1438	0.8	40	1.25	200/300	20
WG5025X-X/1300-1700MHz	1300-1700	0.8	38	1.25	100/300	20
WG5025X-X/1325-1375MHz	1325-1375	0.6	46	1.20	100/300	20
WG5025X-X/1400-1600MHz	1400-1600	0.8	40	1.25	100/300	20
WG5025X-X/1450-1550MHz	1450-1550	0.6	46	1.20	100/300	20
WG5025X-X/1500-1700MHz	1500-1700	0.8	40	1.25	100/300	20
WG5025X-X/1500-1800MHz	1500-1800	0.8	40	1.25	100/300	20
WG5025X-X/1524-1540MHz	1524-1540	0.4	50	1.15	100/300	20
WG5025X-X/1550-1630MHz	1550-1630	0.6	46	1.20	100/300	20
WG5025X-X/1550-1650MHz	1550-1650	0.6	46	1.20	100/300	20
WG5025X-X/1626-1660MHz	1626-1660	0.4	50	1.15	100/300	20
WG5025X-X/1700-1900MHz	1700-1900	0.8	40	1.25	100/300	20
WG5025X-X/1700-2000MHz	1700-2000	0.8	38	1.25	100/300	20
WG5025X-X/1710-1785MHz	1710-1785	0.6	46	1.20	100/300	20



Model No. (X=1: →Clockwise) (X=2: ←Anticlockwise)	Freq. Range MHz	IL dB (max)	Isolation dB (min)	VSWR	Forward Power CW	Reverse Power W
WG5025X-X/1710-2170MHz	1710-2170	1.0	36	1.30	100/300	20
WG5025X-X/1800-2000MHz	1800-2000	0.8	40	1.25	100/300	20
WG5025X-X/1800-2200MHz	1800-2200	1.0	36	1.30	100/300	20
WG5025X-X/1800-2400MHz	1800-2400	1.2	36	1.30	100/300	20
WG5025X-X/1805-1880MHz	1805-1880	0.6	46	1.20	100/300	20
WG5025X-X/1805-2117MHz	1805-2117	0.8	40	1.25	100/300	20
WG5025X-X/1900-2200MHz	1900-2200	0.7	40	1.25	100/300	20
WG5025X-X/1920-1990MHz	1920-1990	0.6	46	1.20	100/300	20
WG5025X-X/2000-2200MHz	2000-2200	0.8	40	1.20	100/300	20
WG5025X-X/2000-2400MHz	2000-2400	1.0	36	1.30	100/300	20
WG5025X-X/2000-2500MHz	2000-2500	1.0	36	1.20	100/300	20
WG5025X-X/2000-2700MHz	2000-2700	1.4	34	1.35	100/300	20
WG5025X-X/2100-2170MHz	2100-2170	0.6	46	1.20	100/300	20
WG5025X-X/2100-2700MHz	2100-2700	1.0	36	1.35	100/300	20
WG5025X-X/2110-2170MHz	2110-2170	0.6	46	1.20	100/300	20
WG5025X-X/2135-2365MHz	2135-2365	0.8	40	1.25	100/300	20
WG5025X-X/2200-2300MHz	2200-2300	0.6	46	1.20	100/300	20
WG5025X-X/2200-2400MHz	2200-2400	0.8	40	1.20	100/300	20
WG5025X-X/2200-2500MHz	2200-2500	0.8	40	1.25	100/300	20
WG5025X-X/2300-2400MHz	2300-2400	0.6	46	1.20	100/300	20
WG5025X-X/2300-2500MHz	2300-2500	0.8	40	1.20	100/300	20
WG5025X-X/2300-2700MHz	2300-2700	0.8	40	1.20	100/300	20
WG5025X-X/2400-2500MHz	2400-2500	0.6	46	1.20	100/300	20
WG5025X-X/2400-2600MHz	2400-2600	0.8	40	1.20	100/300	20
WG5025X-X/2496-2690MHz	2496-2690	0.8	40	1.20	100/300	20
WG5025X-X/2500-2700MHz	2500-2700	0.8	40	1.20	100/300	20
WG5025X-X/2600-2690MHz	2600-2690	0.6	46	1.20	100/300	20



Model No. (X=1: →Clockwise) (X=2: ←Anticlockwise)	Freq. Range MHz	IL. dB (max)	Isolation dB (min)	VSWR	Forward Power CW	Reverse Power W
WG5025X-X/2600-2700MHz	2600-2700	0.6	46	1.20	100/300	20
WG5025X-X/2700-2900MHz	2700-2900	0.6	40	1.20	100/300	20
WG5025X-X/2700-3100MHz	2700-3100	0.8	40	1.25	100/300	20
WG5025X-X/2700-3500MHz	2700-3500	1.0	36	1.30	100	20
WG5025X-X/2750-3150MHz	2750-3150	0.8	40	1.25	100	20
WG5025X-X/2900-3300MHz	2900-3300	0.8	40	1.20	100	20
WG5025X-X/2900-3500MHz	2900-3500	0.8	40	1.25	100	20
WG5025X-X/3000-3600MHz	3000-3600	0.6	40	1.25	100	20
WG5025X-X/3100-3500MHz	3100-3500	0.8	40	1.25	100	20
WG5025X-X/3150-3250MHz	3150-3250	0.6	46	1.20	100	20
WG5025X-X/3300-3600MHz	3300-3600	0.6	40	1.20	100	20
WG5025X-X/3300-3800MHz	3300-3800	0.8	40	1.25	100	20
WG5025X-X/3400-3900MHz	3400-3900	0.8	40	1.25	100	20
WG5025X-X/3400-4200MHz	3400-4200	0.9	38	1.25	100	20
WG5025X-X/3400-4300MHz	3400-4300	1.0	36	1.30	100	20
WG5025X-X/3550-3700MHz	3550-3700	0.6	46	1.20	100	20
WG5025X-X/3600-3800MHz	3600-3800	0.6	46	1.20	100	20
WG5025X-X/3900-4000MHz	3900-4000	0.6	46	1.20	100	20

Instructions:

- 1, Through the power part of the product can be 100W or 200W or 300W;
- 2, The isolator reflected power of 20W;
- 3, Only some common frequencies in the table, can be produced according to user requirements;
- 4, Embedded isolator, please use stainless steel or brass screws when installing;
- 5, If you do not find the frequency you want, please contact us!