

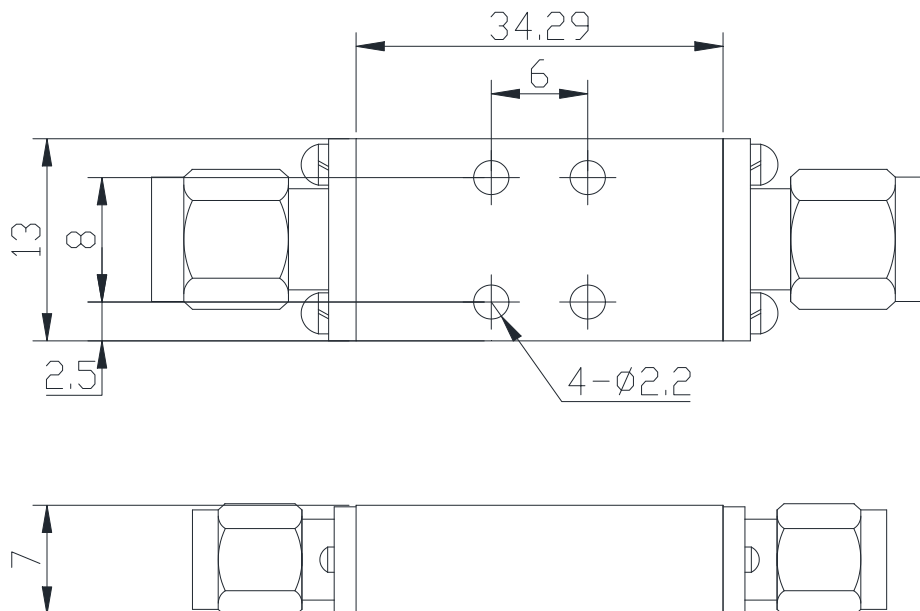
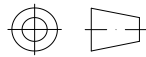


## Low Pass Filter

### Features and Electrical specifications:

Model	LPF-DCG13.6A-S
Frequency Range	DC-13600MHz
Insertion Loss	≤0.4dB
Rejection	≥25dB@22GHz ≥40dB@25.5-40GHz
VSWR	1.5 Max
Rated Power	50 W
Impedance	50 Ω
Connector Type	SMA-F
Dimension	34.29X13.0X7.0 mm
Surface Finishing	Black Painting
Operating Temperature	Ordinary Temperature
Storage Temperature	-55 ~ +85°C

Outline Drawing (Unit: mm):



**RFTYT Technology Co., LTD.**

<http://www.rfyt.com>

E-mail : [jackson@rfyt.com](mailto:jackson@rfyt.com)      [zqc7708@rfyt.com](mailto:zqc7708@rfyt.com)

TEL: +86-13088268828      FAX: +86-816-2846565

218# Wenwu Middle Road, Jinkai District, Mianyang, Sichuan Province China

**Ready For Tackling Your Trouble**