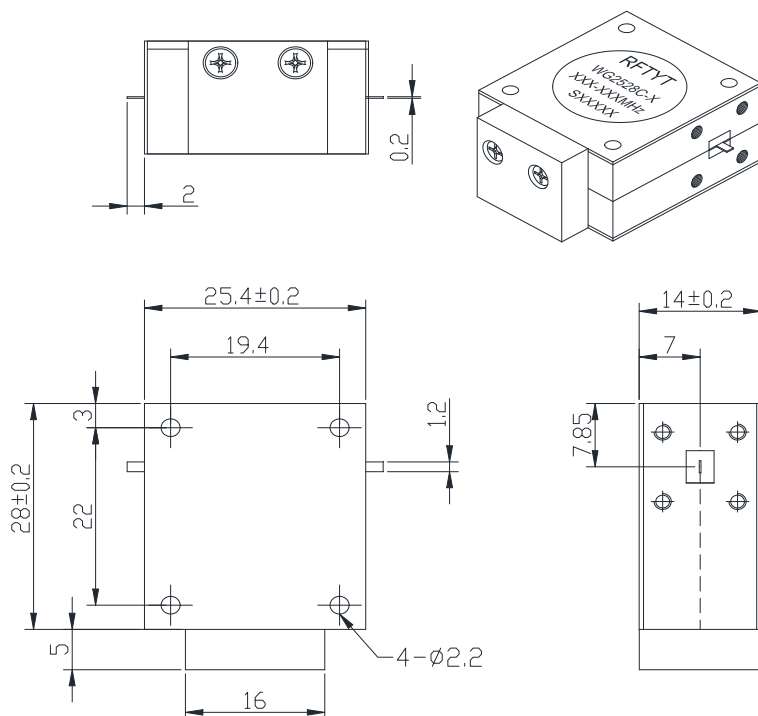


## 3.0 to 6.0GHz Drop in Isolator

WG2528C Microstrip line

Outline Drawing (mm): 



### Features:

- ◇ Good temperature stability
- ◇ Withstand high power
- ◇ RoHS compliant
- ◇ Weight :  $\approx 55$  g

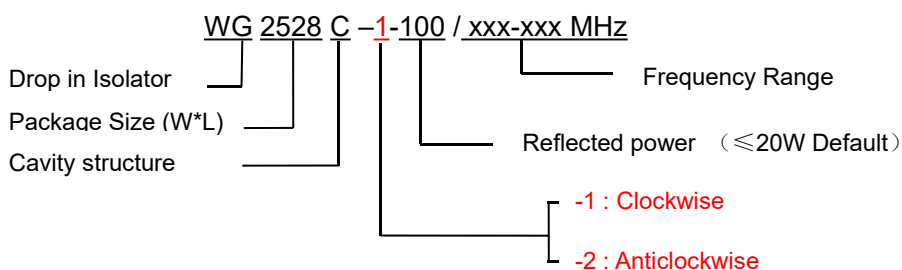
### Material list:

- ◇ Cavity: aluminum conductive oxidation
- ◇ Outer shell: industrial pure iron nickel plating
- ◇ Guide body: Silver plated brass
- ◇ Load chamber: aluminum conductive oxidation
- ◇

### Application:

- ◇ Rf amplifier final stage, protect the amplifier
- ◇ Digital communication
- ◇ Satellite communication
- ◇ Mobile communication

### Order Examples :



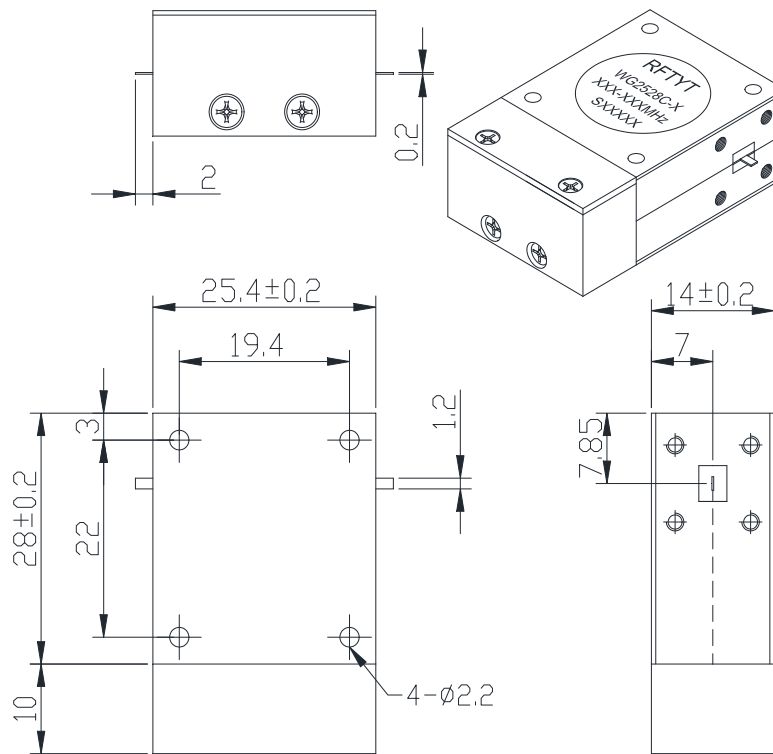
### Basic Specifications :

Impedance	50 $\Omega$
Connection type	Microstrip line
Size(mm)	25.4*28.0*14.0
Operating Temp	-10~+60 $^{\circ}$ C
Storage temperature	-50~+90 $^{\circ}$ C

Specifications:

Model No. (X=1: →Clockwise) (X=2: ←Anticlockwise)	Freq. Range GHz	IL. dB (max)	Isolation dB (min)	VSWR	Forward Power CW	Reverse Power W
WG2528C-X/3000-5000MHz	3.0-5.0	0.50	18.0	1.25	150	20/100
WG2528C-X/3000-6000MHz	3.0-6.0	0.50	18.0	1.30	150	20/100
WG2528C-X/4000-6000MHz	4.0-6.0	0.45	20.0	1.25	150	20/100

Reflected power 100W size diagram



The reflected power of this figure is 100W, the indicators are the same as the table, model WG2528C-X-100/xxx-xxxMHz

Instructions:

- 1, The isolator reflected power of 20W and 100W;
- 2, Only some common frequencies in the table, can be produced according to user requirements;
- 3, Embedded isolator, please use stainless steel or brass screws when installing;
- 4, If you do not find the frequency you want, please contact us!