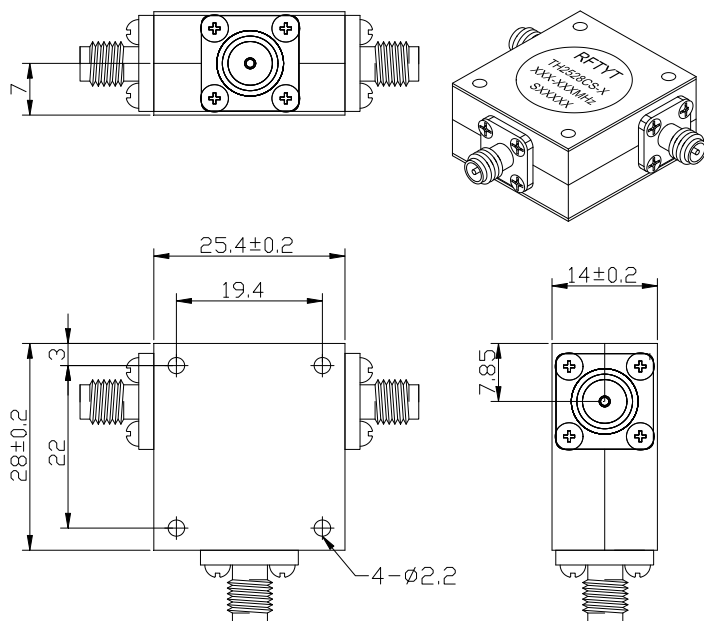
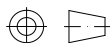


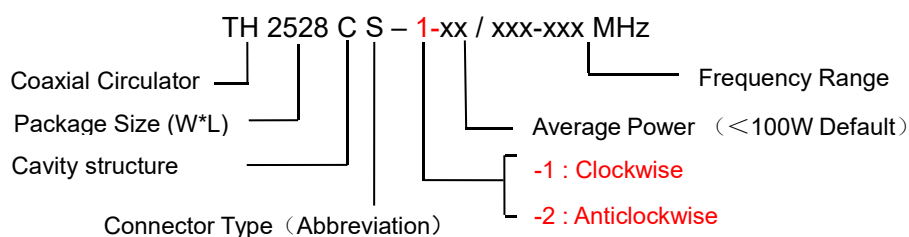
## 3.0 to 6.0GHz Coaxial Circulator

### TH2528CS SMA Type

#### Outline Drawing (mm):



#### Order Examples:



#### Features:

- ◇ Good temperature stability
- ◇ Withstand high power
- ◇ RoHS compliant
- ◇ Weight : ≈ 46 g

#### Material list:

- ◇ Cavity: aluminum conductive oxidation
- ◇ Outer shell: industrial pure iron nickel plating
- ◇ Guide body: Silver plated brass
- ◇ Connector housing: gold plated brass

#### Application:

- ◇ Rf amplifier final stage, protect the amplifier
- ◇ Common transceiver antenna
- ◇ Digital communications, satellite communications
- ◇ GSM/CDMA/TD-SCDMA/WCDMA  
EGSM/Wimax/TD-LTE/AMPS/SMR  
5G and other communication systems



#### Connector Type:

SMA Type Connector Options				N Type Connector Options			
Port 1	Port 2	Port 3	Abbreviation	Port 1	Port 2	Port 3	Abbreviation
K	K	K	S	K	K	K	N
K	J	J	SKJJ	K	J	J	NKJJ
J	K	J	SJKJ	J	K	J	NJKJ
K	K	J	SKKJ	K	K	J	NKKJ
J	J	J	SJ	J	J	J	NJ

### Basic Specifications :

Impedance	50 $\Omega$
Connector Type	SMA-K
Size(mm)	25.4*28.0*14.0
Operating Temp	-10~+60 $^{\circ}\text{C}$
Storage temperature	-30~+70 $^{\circ}\text{C}$

### Specifications :

Model No. (X=1: $\rightarrow$ Clockwise) (X=2: $\leftarrow$ Anticlockwise)	Freq. Range GHz	IL. dB (max)	Isolation dB (min)	VSWR (max)	POWER W
TG2528CS-X/3000-4000MHz	3.0-4.0	0.40	20.0	1.20	100
TG2528CS-X/3000-5000MHz	3.0-5.0	0.50	18.0	1.25	100
TG2528CS-X/3000-6000MHz	3.0-6.0	0.50	18.0	1.30	100
TG2528CS-X/4000-5000MHz	4.0-5.0	0.40	20.0	1.25	100
TG2528CS-X/4000-6000MHz	4.0-6.0	0.45	20.0	1.25	100
TG2528CS-X/5000-6000MHz	5.0-6.0	0.40	18.0	1.30	100

### Instructions :

- 1, The circulator connector can be selected SMA, N male and female head can be used with the user;
- 2, The circulator only provides through power, indicating that the transmission to the antenna and the antenna to the receiving are through power;
- 3, Only some common frequencies in the table, can be produced according to the user's requirements;
- 4, If you do not find what you are looking for, please contact us!