

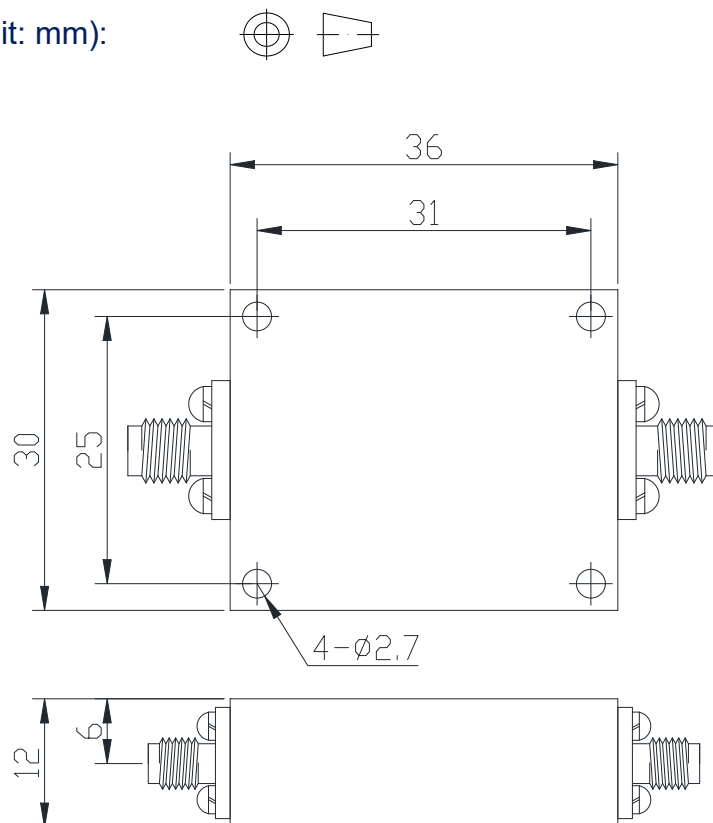


## High Pass Filter

### Features and Electrical specifications:

Model	HPF-5.85G18A-S
Frequency Range	5.85-18GHz
Insertion Loss	$\leq 2.0$ dB
Rejection	$\geq 60$ dB@DC-3919.5MHz
VSWR	2.0 Max
Rated Power	20 W
Impedance	50 $\Omega$
Connector Type	SMA-F
Dimension	36.0x30.0x12.0mm
Surface Finishing	Black Painting
Operating Temperature	Ordinary temperature
Storage Temperature	-55 ~ +85°C

### Outline Drawing (Unit: mm):



**RFTYT Technology Co., LTD.**

<http://www.rfyt.com>

E-mail : [jackson@rfyt.com](mailto:jackson@rfyt.com)      [zqc7708@rfyt.com](mailto:zqc7708@rfyt.com)

TEL: +86-13088268828      FAX: +86-816-2846565

218# Wenwu Middle Road, Jinkai District, Mianyang, Sichuan Province China

**Ready For Tackling Your Trouble**