

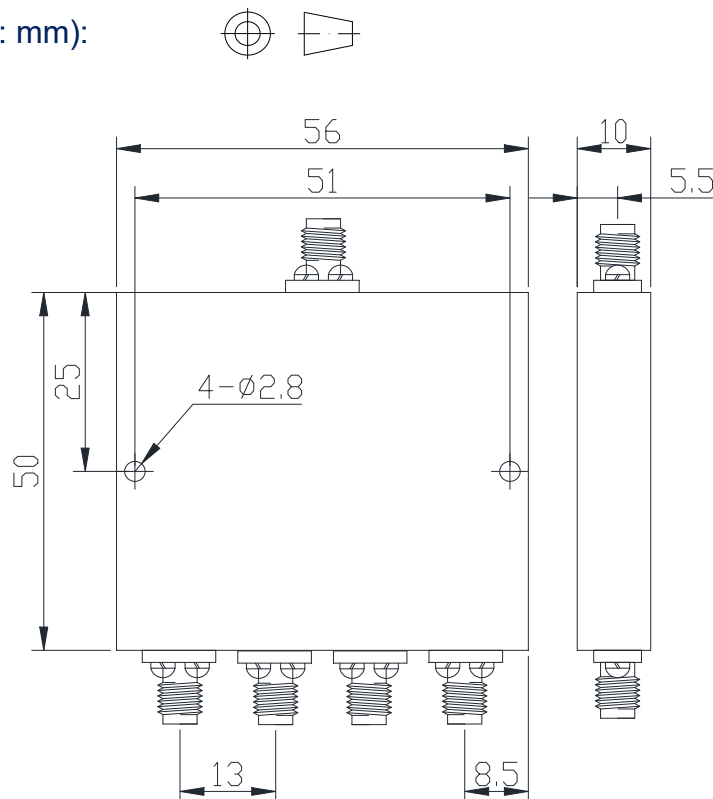


## 4 Way Power Divider

### Features and Electrical specifications:

Model	PD04-F5650-S/2-8GHz	
Frequency Range	2-8 GHz	
Insertion Loss	≤1.0dB	
Isolation	20 dB Min	
VSWR	Input: 1.40 Max	Output: 1.30 Max
Amplitude Unbalance	±0.4 dB	
Phase Unbalance	± 4°	
Rated Power	Forward Power: 30 W	Reverse Power: 1 W
Impedance	50 Ω	
Connector Type	SMA-F	
Dimension	56.0X50.0X10.0 mm	
Surface Finishing	Grey Painting	
Operating Temperature	-45 ~ +85°C	
ROHS Compliant	Yes	

### Outline Drawing (Unit: mm):



**RFTYT Technology Co., LTD.**

<http://www.rftyt.com>

E-mail : [jackson@rftyt.com](mailto:jackson@rftyt.com)      [zqc7708@rftyt.com](mailto:zqc7708@rftyt.com)

TEL: +86-13088268828      FAX: +86-816-2846565

218# Wenwu Middle Road, Jinkai District, Mianyang, Sichuan Province China

**Ready For Tackling Your Trouble**