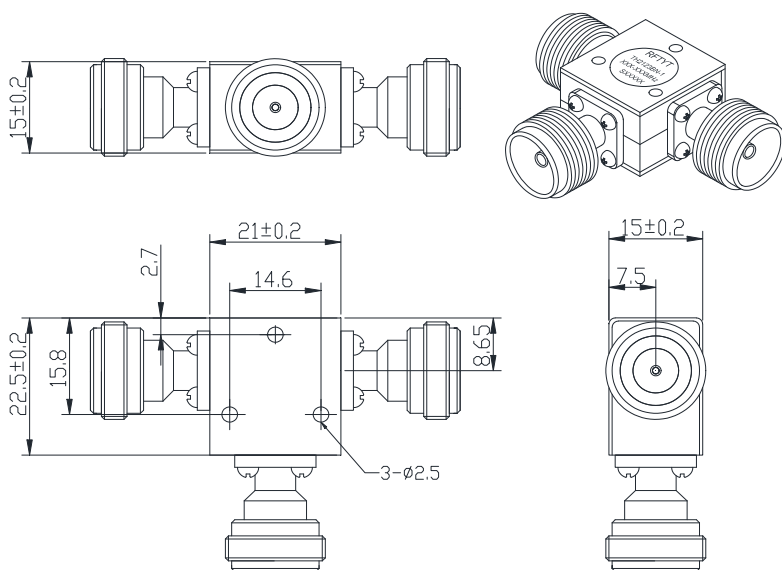
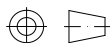


4.0 to 8.0GHz Coaxial Circulator

TH2123BN N Type

Outline Drawing (mm):



Features:

- ◇ Good temperature stability
- ◇ Withstand high power
- ◇ RoHS compliant
- ◇ Weight : \approx 100g

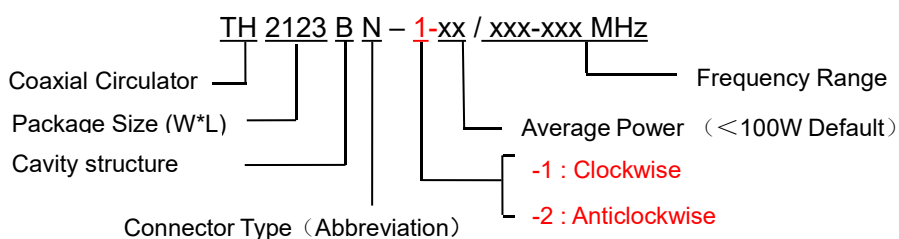
Material list:

- ◇ Cavity: aluminum conductive oxidation
- ◇ Outer shell: industrial pure iron nickel plating
- ◇ Guide body: Silver plated brass
- ◇ Connector housing: brass nickel-plated

Application:

- ◇ Rf amplifier final stage, protect the amplifier
- ◇ Common transceiver antenna
- ◇ Digital communications, satellite communications
- ◇ GSM/CDMA/TD-SCDMA/WCDMA
- ◇ EGSM/Wimax/TD-LTE/AMPS/SMR
- ◇ 5G and other communication systems

Order Examples:



Connector Type:



| SMA Type Connector Options | | | | N Type Connector Options | | | |
|----------------------------|--------|--------|--------------|--------------------------|--------|--------|--------------|
| Port 1 | Port 2 | Port 3 | Abbreviation | Port 1 | Port 2 | Port 3 | Abbreviation |
| K | K | K | S | K | K | K | N |
| K | J | J | SKJJ | K | J | J | NKJJ |
| J | K | J | SJKJ | J | K | J | NJKJ |
| K | K | J | SKKJ | K | K | J | NKKJ |
| J | J | J | SJ | J | J | J | NJ |

Basic Specifications :

| | |
|---------------------|----------------|
| Impedance | 50 Ω |
| Forward Power | 10W |
| Connector Type | N-K |
| Size(mm) | 21.0*22.5*15.0 |
| Operating Temp | -10~+60℃ |
| Storage temperature | -30~+70 ℃ |

Specifications :

| Model No. (X=1: →Clockwise) (X=2: ←Anticlockwise) | Freq. Range GHz | IL. dB (max) | Isolation dB (min) | VSWR (max) | POWER W |
|---|--------------------|-----------------|-----------------------|---------------|------------|
| TH2123BN-X/4.0-7.0GHz | 4.0-7.0 | 0.50 | 18.0 | 1.30 | 100 |
| TH2123BN-X/4.0-7.2GHz | 4.0-7.2 | 0.50 | 18.0 | 1.30 | 100 |
| TH2123BN-X/4.0-8.0GHz | 4.0-8.0 | 0.60 | 18.0 | 1.30 | 100 |
| TH2123BN-X/5.0-7.0GHz | 5.0-7.0 | 0.40 | 20.0 | 1.25 | 100 |
| TH2123BN-X/5.0-8.0GHz | 5.0-8.0 | 0.50 | 19.0 | 1.25 | 100 |
| TH2123BN-X/6.0-8.0GHz | 6.0-8.0 | 0.40 | 19.0 | 1.25 | 100 |

Instructions :

- 1, The circulator connector can be selected SMA, N male and female head can be used with the user;
- 2, The circulator only provides through power, indicating that the transmission to the antenna and the antenna to the receiving are through power;
- 3, Only some common frequencies in the table, can be produced according to the user's requirements;
- 4, If you do not find what you are looking for, please contact us!