

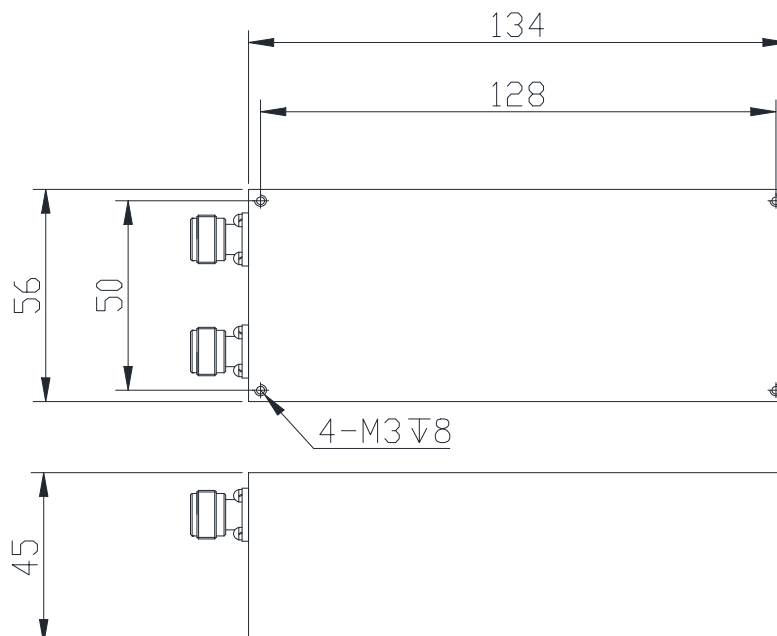
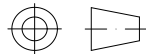


Band Stop Filter

Features and Electrical specifications:

Model	BSF-1695M1710A-N
Rejection band	1695-1710MHz
Pass band	DC~1685MHz & 1720~5000MHz
Insertion Loss	≤2.5dB
Rejection	≥80dB
VSWR	2.0 Max
Rated Power	10 W
Impedance	50 Ω
Connector Type	N-F
Dimension	134.0x56.0x45.0mm
Surface Finishing	Black Painting
Operating Temperature	Ordinary temperature
Storage Temperature	-55 ~ +85°C

Outline Drawing (Unit: mm):



RFTYT Technology Co., LTD.

<http://www.rfyt.com>

E-mail : jackson@rfyt.com zqc7708@rfyt.com

TEL: +86-13088268828 FAX: +86-816-2846565

218# Wenwu Middle Road, Jinkai District, Mianyang, Sichuan Province China

Ready For Tackling Your Trouble