

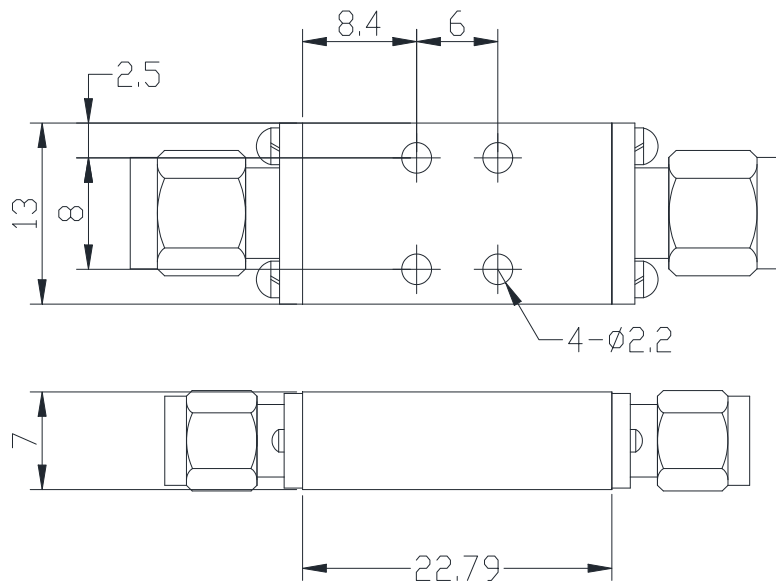
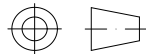


Low Pass Filter

Features and Electrical specifications:

Model	LPF-DCG23.6A-S
3dB cut-off	23.6 GHz
Frequency Range	DC-22.5GHz
Insertion Loss	≤1.3dB (DC-22.5GHz)
Rejection	≥25dB@27.7GHz ≥40dB@33GHz
VSWR	1.7 Max
Rated Power	50 W
Impedance	50 Ω
Connector Type	SMA-F / SMA-M
Dimension	22.79X13.0X7.0mm
Surface Finishing	Black Painting
Operating Temperature	Ordinary Temperature
Storage Temperature	-55 ~ +85°C

Outline Drawing (Unit: mm):



RFTYT Technology Co., LTD.

<http://www.rftyt.com>

E-mail : jackson@rftyt.com zqc7708@rftyt.com

TEL: +86-13088268828 FAX: +86-816-2846565

218# Wenwu Middle Road, Jinkai District, Mianyang, Sichuan Province China

Ready For Tackling Your Trouble