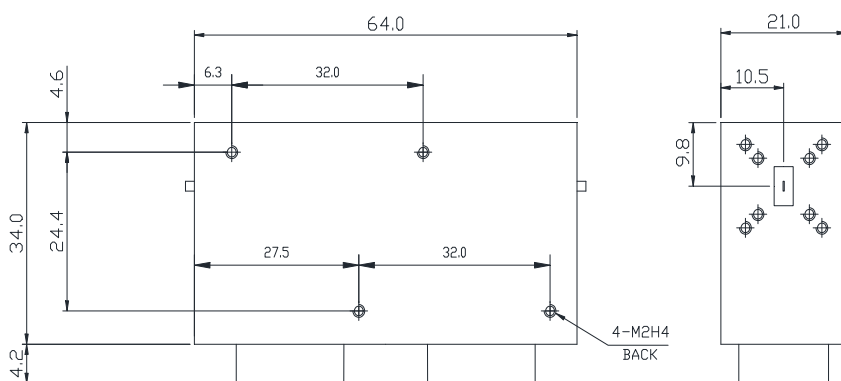


2.0 to 4.0GHz Dual Junction Drop in Isolator

WG6434A Strip Line Type

Outline Drawing (mm): 



Features:

- ◇ Good temperature stability
- ◇ Withstand high power
- ◇ RoHS compliant
- ◇ Weight : ≈ 200 g

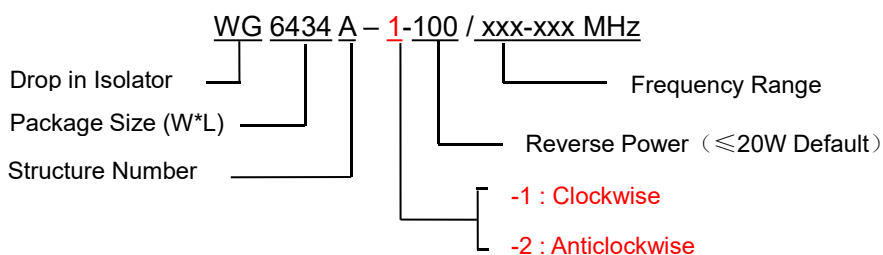
Material list:

- ◇ Cavity: aluminum conductive oxidation
- ◇ Outer shell: industrial pure iron nickel plating
- ◇ Guide body: Silver plated brass
- ◇ Load chamber: aluminum conductive oxidation

Application:

- ◇ Rf amplifier final stage, protect the amplifier
- ◇ Digital communication
- ◇ Satellite communication
- ◇ Mobile communication

Order Examples :



Basic Specifications :

Impedance	50 Ω
Connection type	Strip line
Size(mm)	64.0*34.0*21.0
Operating Temp	-10~+60 $^{\circ}\text{C}$
Storage temperature	-50~+90 $^{\circ}\text{C}$

Specifications:

Model No. (X=1: →Clockwise) (X=2: ←Anticlockwise)	Freq. Range GHz	IL. dB (max)	Isolation dB (min)	VSWR	Forward Power CW	Reverse Power W
WG6434A-X/2.0-2.6GHz	2.0-2.6	1.0	36	1.30	100	20
WG6434A-X/2.0-2.9GHz	2.0-2.9	1.0	36	1.30	100	20
WG6434A-X/2.0-3.0GHz	2.0-3.0	1.0	36	1.30	100	20
WG6434A-X/2.0-3.5GHz	2.0-3.5	1.2	36	1.30	100	20
WG6434A-X/2.0-4.0GHz	2.0-4.0	1.2	36	1.30	100	20
WG6434A-X/2.35-4.0GHz	2.35-4.0	1.0	36	1.30	100	20
WG6434A-X/2.4-4.0GHz	2.4-4.0	1.2	36	1.30	100	20
WG6434A-X/2.5-3.8GHz	2.5-3.8	1.0	36	1.35	100	20
WG6434A-X/2.5-3.5GHz	2.5-3.5	1.2	38	1.25	100	20
WG6434A-X/2.5-4.0GHz	2.5-4.0	1.2	36	1.30	100	20

Instructions:

- 1, The isolator reflected power is only 20W;
- 2, Only some common frequencies in the table, can be produced according to user requirements;
- 3, Embedded isolator, please use stainless steel or brass screws when installing;
- 4, If you do not find the frequency you want, please contact us!