

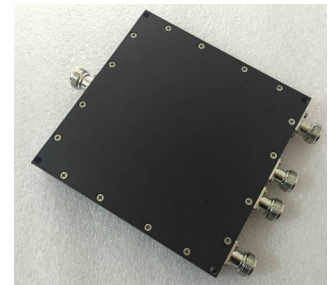
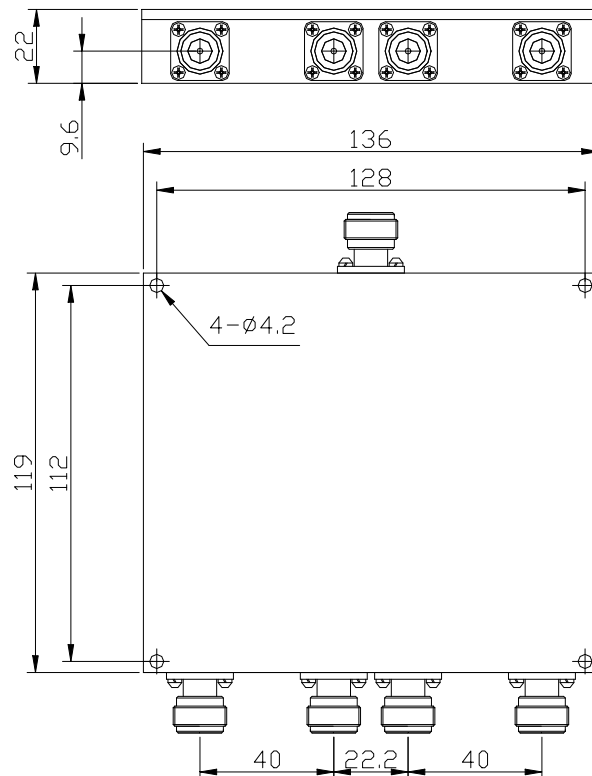


4 Way Power Divider

Features and Electrical specifications:

Model	PD04-F1412-N/136-174MHz
Frequency Range	136-174 MHz
Split loss	6.0 dB
Insertion Loss	≤0.5 dB
Isolation	≥20 dB Min
VSWR	1.30
Rated Power	50 W
Impedance	50 Ω
Connector Type	N-F
Dimension	136.0X119X22 mm
Surface Finishing	Black Painting
Operating Temperature	-35 ~ +65°C
ROHS Compliant	Yes

Outline Drawing (Unit: mm):



RFTYT Technology Co., LTD.

<http://www.rftyt.com>

E-mail : jackson@rftyt.com zqc7708@rftyt.com

TEL: +86-13088268828 FAX: +86-816-2846565

218# Wenwu Middle Road, Jinkai District, Mianyang, Sichuan Province China

Ready For Tackling Your Trouble