

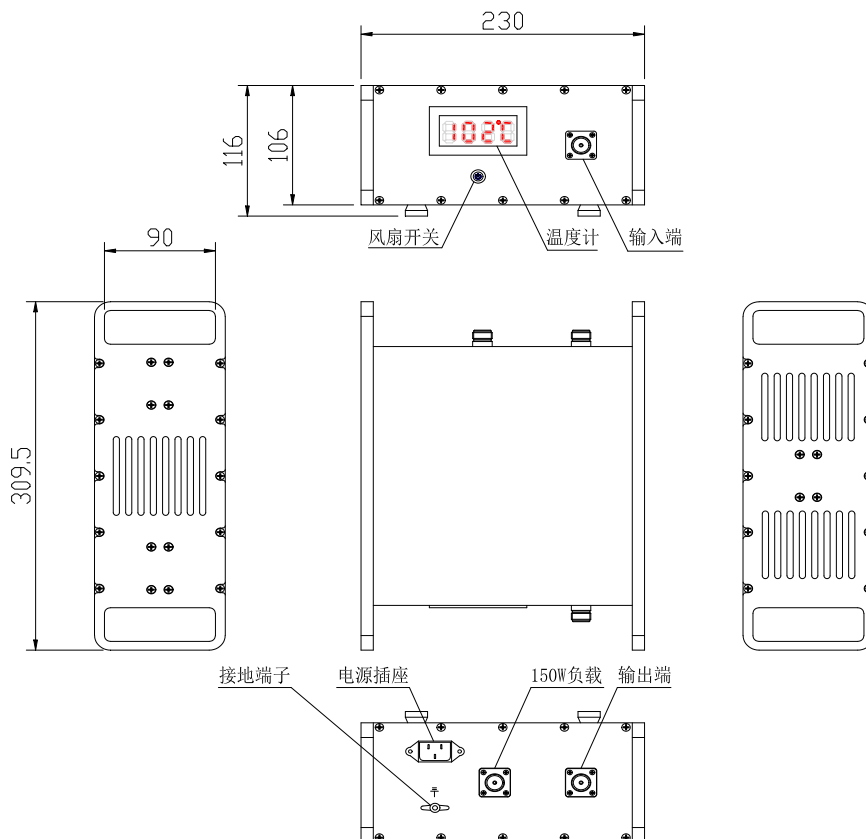
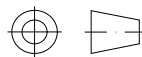


Coaxial Fixed Attenuator

Features and Electrical specifications:

Model	RFTXX-1000MF2123-N-1 (XX=Attenuator Value)		
Frequency Range	DC~1.0GHz		
VSWR	1.30Max		
Power	1000 W		
Impedance	50 Ω		
Attenuation	10dB	20dB	30、40、50dB
Attenuation Tolerance	±2.0dB	±2.0dB	±2.5dB
Connector	N-J(M)/ N-K(F)		
Dimension	116×230x309.5mm		
Operating Temperature	-55 ~ +125°C (See de Power De-rating)		
Weight	About 7.5 Kg		
ROHS Compliant	Yes		

Outline Drawing (Unit: mm/inch):



Usage:

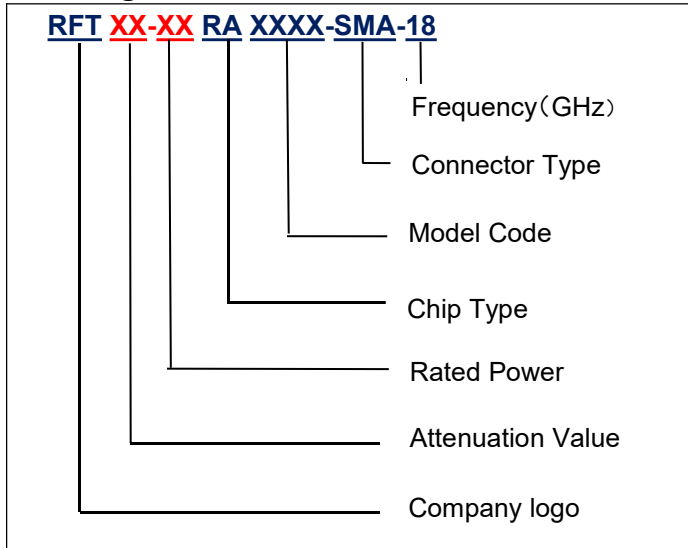
For convenient portability testing

Notes:

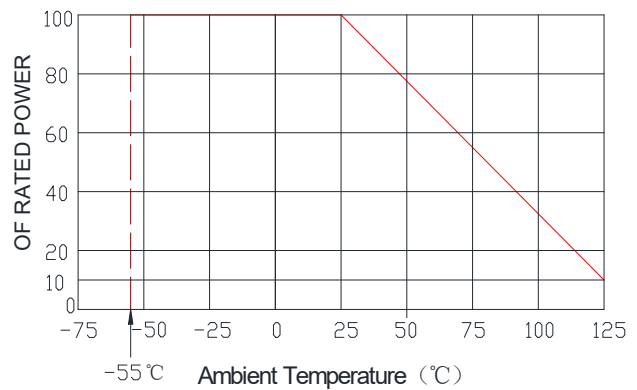
- 1、 Before measurement, ensure that the equipment is well grounded
- 2、 Maximum measured power 1000W (when the fan is started), 150W (when the fan is turned off)
- 3、 It is strictly prohibited to measure high power when the fan is not working.
- 4、 The power signal can only be connected from the input end and reverse connection is strictly prohibited
- 5、 The maximum duration of a single measurement should not exceed 180 seconds. When the temperature exceeds 85 °C, the test should be stopped immediately



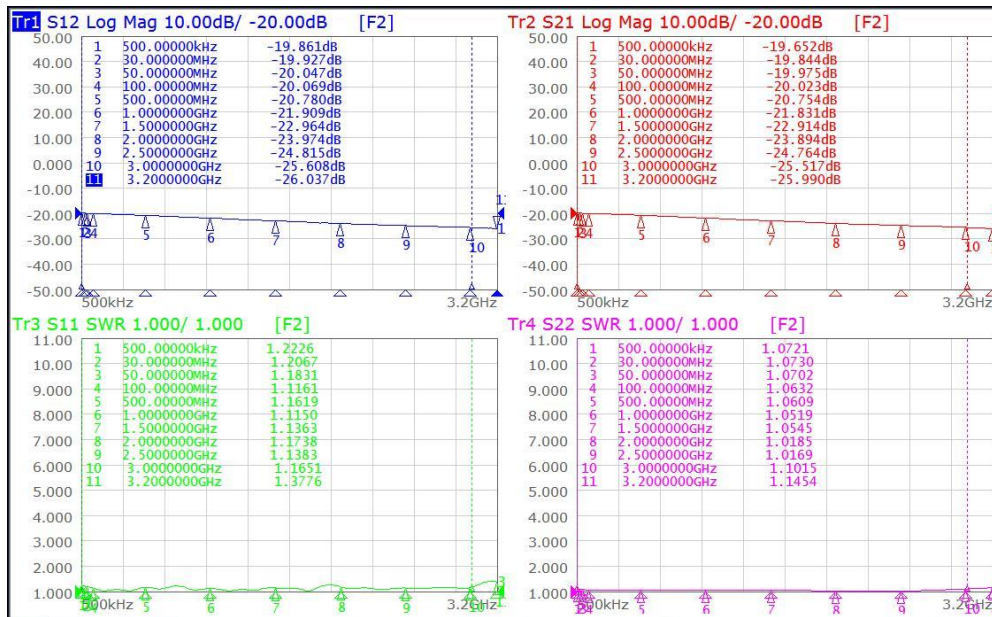
Naming rules:



Power De-rating:



**Graph:
20dB**



Use attention:

- 1、Dimensions Tolerance $\pm 3\%$;
- 2、If necessary, the product shall be air-cooled for auxiliary heat dissipation;
- 3、Custom designs available of other special coaxial fixed attenuator;
- 4、Pay attention to the direction of the product during use and strictly prohibit reverse connection.