

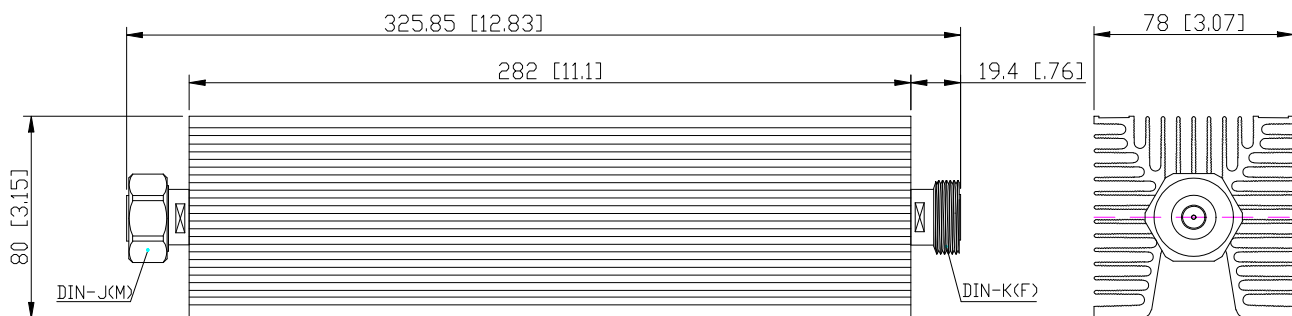
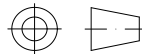


Coaxial Fixed Attenuator

Features and Electrical specifications:

Model	RFTXX-300FA8028-DIN-6 (XX=Attenuator Value)			
Frequency Range	DC~6.0GHz			
VSWR	1.35Max			
Power	300 W			
Impedance	50 Ω			
Attenuation	01-10dB	11-20dB	21-30dB	40、50dB
Attenuation Tolerance	± 0.8 dB	± 0.8 dB	± 1.0 dB	± 1.3 dB
Connector	DIN-J(M)/DIN-K(F)			
Dimension	78 \times 80 \times 325.85mm			
Operating Temperature	-55 ~ +125 $^{\circ}$ C (See de Power De-rating)			
Weight	About 2.3 Kg			
ROHS Compliant	Yes			

Outline Drawing (Unit: mm/inch):



The connector could be 4.3-10, DIN, N MM or FF ,
or any two can be freely mixed and matched

RFTYT Technology Co., LTD.

<http://www.rftyt.com>

E-mail: Jackson@rftyt.com zqc7708@rftyt.com

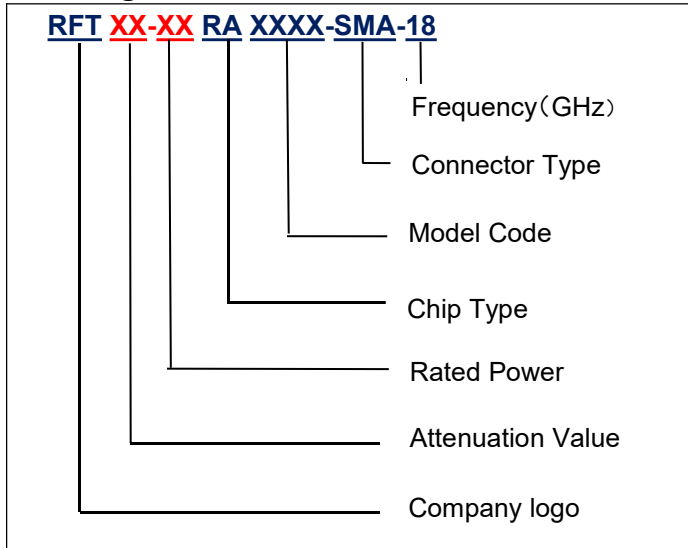
TEL: +86-13088268828 FAX: +86-816-2846565

218# Wenwu Middle Road, Jinkai District, Mianyang, Sichuan Province China

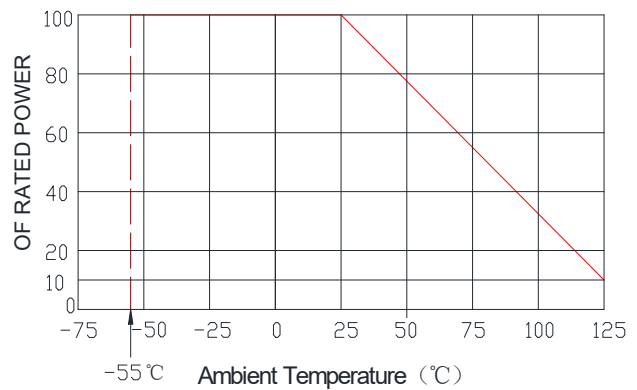
Ready For Tackling Your Trouble



Naming rules:



Power De-rating:



Use attention:

- 1、 Dimensions Tolerance $\pm 3\%$;
- 2、 If necessary, the product shall be air-cooled for auxiliary heat dissipation ;
- 3、 Custom designs available of other special coaxial fixed attenuator ;
- 4、 Pay attention to the direction of the product during use and strictly prohibit reverse connection.