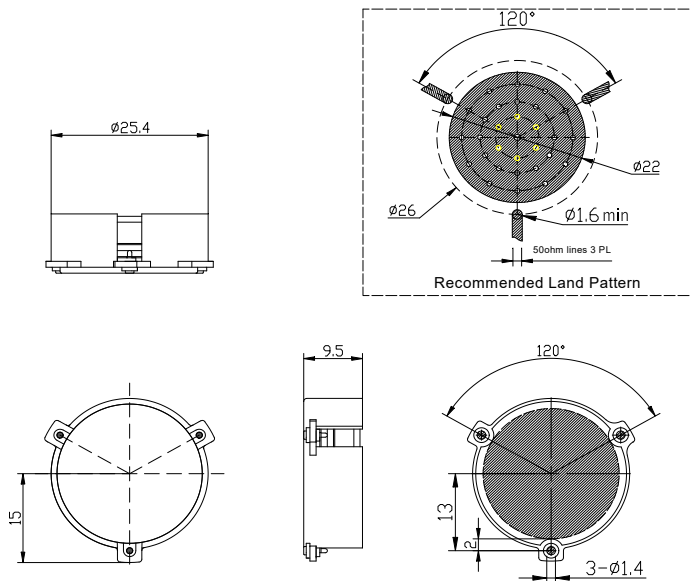
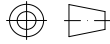


400 to 1800MHz Surface Mount Circulator

SMTH-D25.4 SMT

Outline Drawing (mm):



Features:

- ◇ Good temperature stability
- ◇ Withstand high power
- ◇ RoHS compliant
- ◇ Weight : ≈25g

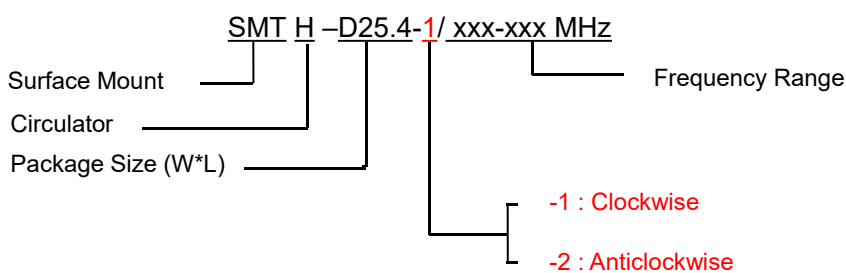
Material list:

- ◇ Shell: industrial pure iron silvered
- ◇ Inner conductor: silver plated brass

Application:

- ◇ Rf amplifier final stage, protect the amplifier
- ◇ Common transceiver antenna
- ◇ Digital communication
- ◇ Satellite communication
- ◇ Mobile communication

Order Examples:



Basic Specifications:

Impedance	50 Ω
Size(mm)	Φ25.*9.5
Operating Temp	-40~+80℃
Storage temperature	-50~+90℃
ConnectorType	SMT

Specifications:

Model No. (X=1: →Clockwise) (X=2: ←Anticlockwise)	Freq. Range MHz	IL. dB (max)	Isolation dB (min)	VSWR	Power CW
SMTH-D25.4-X/400-410MHz	400-410	0.30	23.0	1.20	200
SMTH-D25.4-X/400-470MHz	400-470	0.50	18.0	1.30	200
SMTH-D25.4-X/400-500MHz	400-500	0.60	16.0	1.40	200
SMTH-D25.4-X/410-425MHz	410-425	0.30	23.0	1.20	200
SMTH-D25.4-X/430-470MHz	430-470	0.40	20.0	1.25	200
SMTH-D25.4-X/490-510MHz	490-510	0.30	23.0	1.20	200
SMTH-D25.4-X/600-700MHz	600-700	0.40	20.0	1.25	200
SMTH-D25.4-X/690-810MHz	690-810	0.40	20.0	1.25	200
SMTH-D25.4-X/700-750MHz	700-750	0.40	20.0	1.25	200
SMTH-D25.4-X/700-803MHz	700-803	0.40	20.0	1.25	200
SMTH-D25.4-X/750-800MHz	750-800	0.30	23.0	1.20	200
SMTH-D25.4-X/800-850MHz	800-850	0.30	23.0	1.20	200
SMTH-D25.4-X/800-1000MHz	800-1000	0.50	18.0	1.30	200
SMTH-D25.4-X/850-855MHz	850-855	0.25	25.0	1.15	200
SMTH-D25.4-X/850-900MHz	850-900	0.30	23.0	1.20	200
SMTH-D25.4-X/850-960MHz	850-960	0.40	20.0	1.25	200
SMTH-D25.4-X/860-960MHz	860-960	0.40	20.0	1.25	200
SMTH-D25.4-X/900-920MHz	900-920	0.30	23.0	1.20	200
SMTH-D25.4-X/925-960MHz	925-960	0.30	23.0	1.20	200
SMTH-D25.4-X/955-1220MHz	955-1220	0.45	18.0	1.30	200
SMTH-D25.4-X/960-1230MHz	960-1230	0.45	18.0	1.30	200
SMTH-D25.4-X/962-1213MHz	962-1213	0.45	20.0	1.25	200
SMTH-D25.4-X/1000-1100MHz	1000-1100	0.30	23.0	1.20	200
SMTH-D25.4-X/1000-1200MHz	1000-1200	0.40	20.0	1.25	200
SMTH-D25.4-X/1020-1040MHz	1020-1040	0.20	25.0	1.15	200



Model No. (X=1: →Clockwise) (X=2: ←Anticlockwise)	Freq. Range MHz	IL. dB (max)	Isolation dB (min)	VSWR	Power CW
SMTH-D25.4-X/1020-1100MHz	1020-1100	0.30	23.0	1.20	200
SMTH-D25.4-X/1022-1038MHz	1022-1038	0.20	25.0	1.15	200
SMTH-D25.4-X/1030-1039MHz	1030-1039	0.20	25.0	1.15	200
SMTH-D25.4-X/1030-1090MHz	1030-1090	0.30	23.0	1.20	200
SMTH-D25.4-X/1070-1210MHz	1070-1210	0.40	20.0	1.25	200
SMTH-D25.4-X/1080-1100MHz	1080-1100	0.20	25.0	1.15	200
SMTH-D25.4-X/1100-1300MHz	1100-1300	0.40	20.0	1.25	200
SMTH-D25.4-X/1150-1250MHz	1150-1250	0.30	23.0	1.20	200
SMTH-D25.4-X/1187-1312MHz	1187-1312	0.40	20.0	1.25	200
SMTH-D25.4-X/1200-1300MHz	1200-1300	0.30	23.0	1.20	100
SMTH-D25.4-X/1200-1400MHz	1200-1400	0.40	20.0	1.25	100
SMTH-D25.4-X/1250-1450MHz	1250-1450	0.40	20.0	1.25	100
SMTH-D25.4-X/1301-1438MHz	1301-1438	0.40	20.0	1.25	100
SMTH-D25.4-X/1300-1700MHz	1300-1700	0.40	19.0	1.25	100
SMTH-D25.4-X/1325-1375MHz	1325-1375	0.30	23.0	1.20	100
SMTH-D25.4-X/1400-1600MHz	1400-1600	0.40	20.0	1.25	100
SMTH-D25.4-X/1450-1550MHz	1450-1550	0.30	23.0	1.20	100
SMTH-D25.4-X/1500-1700MHz	1500-1700	0.40	20.0	1.25	100
SMTH-D25.4-X/1500-1800MHz	1500-1800	0.40	20.0	1.25	100

Instructions:

- 1, When the surface paste circulator adopts reflow welding process, the maximum temperature does not exceed 260 degrees;
- 2, The circulator only provides through power, indicating that the transmission to the antenna and the antenna to the receiving are through power;
- 3, Only some common frequencies in the table, can be produced according to the user's requirements;
- 4, If you do not find what you are looking for, please contact us!