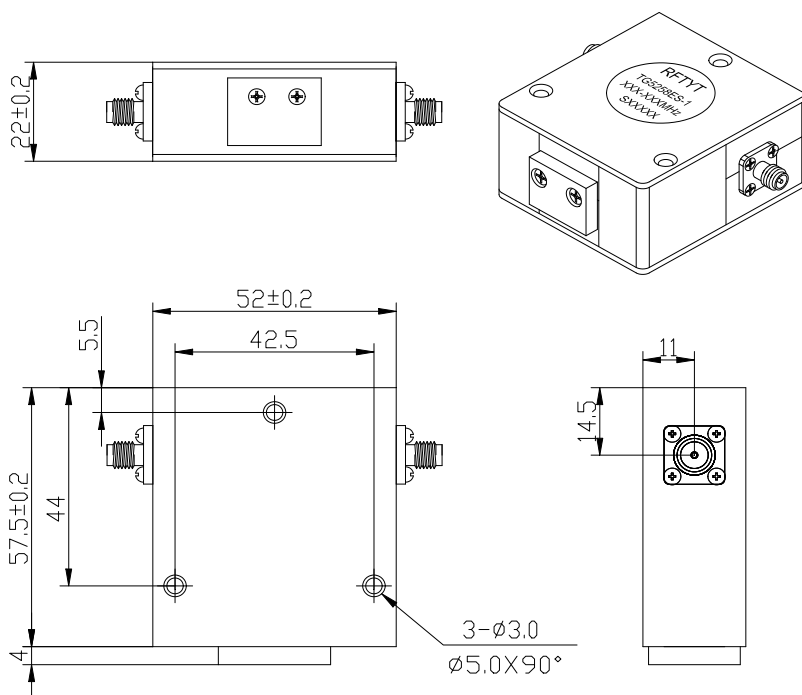


## 150 to 330MHz Coaxial Isolator

### TG5258ES SMA Type

#### Outline Drawing (mm):



#### Features:

- ◇ Good temperature stability
- ◇ Withstand high power
- ◇ RoHS compliant
- ◇ Weight :  $\approx 310$  g

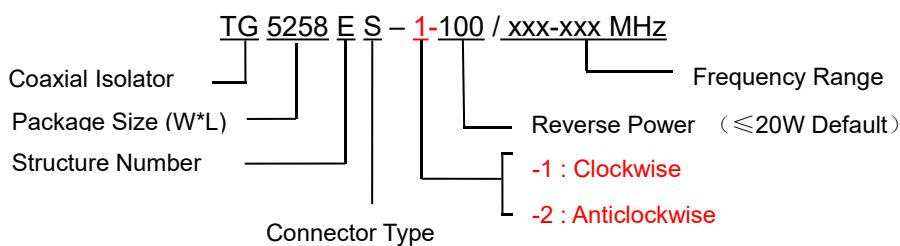
#### Material list:

- ◇ Cavity: aluminum conductive oxidation
- ◇ Outer shell: industrial pure iron nickel plating
- ◇ Guide body: Silver plated brass
- ◇ Load chamber: aluminum conductive oxidation

#### Application:

- ◇ Rf amplifier final stage, protect the amplifier
- ◇ Transceiver common antenna
- ◇ GSM/CDMA/TD-SCDMA/WCDMA
- ◇ EGSM/Wimax/TD-LTE/AMPS/SMR
- ◇ 5G and other communication systems

#### Order Examples:



#### Connector Type:

SMA Type Connector Options			N Type Connector Options		
Port 1	Port 2	Abbreviation	Port 1	Port 2	Abbreviation
SMA-F	SMA-F	S	N-F	N-F	N
SMA-F	SMA-M	SKJ	N-F	N-M	NKJ
SMA-M	SMA-F	SJK	N-M	N-F	NJK
SMA-M	SMA-M	SJ	N-M	N-M	NJ

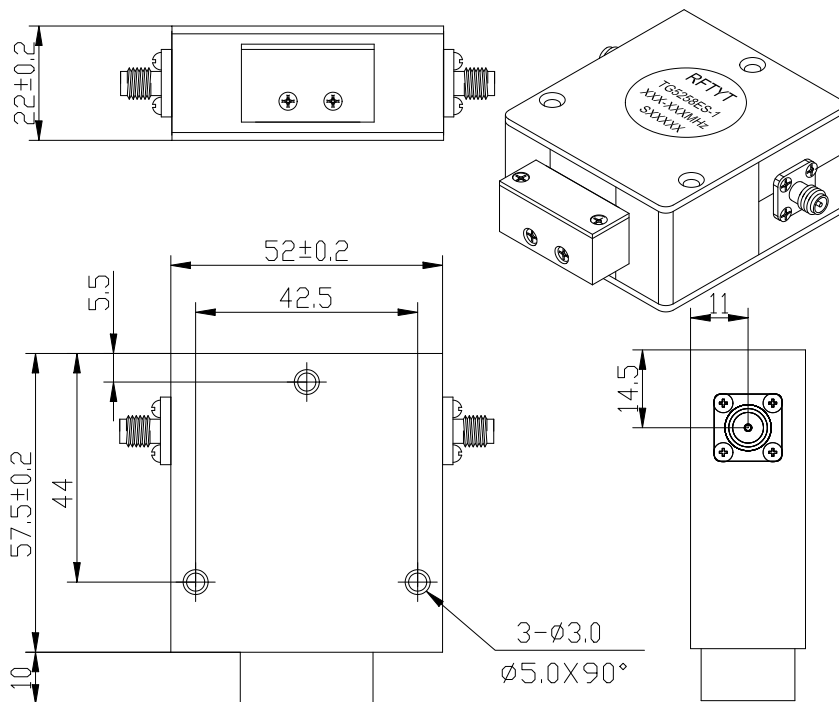
**Basic Specifications :**

Impedance	50 Ω
Connector Type	SMA-F
Size(mm)	52.0*57.5*22.0
Operating Temp	-30~+70℃/-40~+85℃
Storage temperature	-50~+90℃

**Specifications :**

Model No. (X=1: →Clockwise) (X=2: ←Anticlockwise)	Freq. Range MHz	IL. dB (max)	Isolation dB (min)	VSWR	Forward Power CW	Reverse Power W
TG5258ES-X/150-170MHz	150-170	0.90	18.0	1.30	100	20/100
TG5258ES-X/160-166MHz	160-166	0.70	20.0	1.25	100	20/100
TG5258ES-X/160-170MHz	160-170	0.80	18.0	1.30	100	20/100
TG5258ES-X/180-184MHz	180-184	0.50	20.0	1.20	100	20/100
TG5258ES-X/192-232MHz	192-232	0.80	18.0	1.30	100	20/100
TG5258ES-X/200-210MHz	200-210	0.40	23.0	1.20	100	20/100
TG5258ES-X/200-220MHz	200-220	0.40	20.0	1.25	100	20/100
TG5258ES-X/215-223MHz	215-223	0.40	23.0	1.20	100	20/100
TG5258ES-X/220-240MHz	220-240	0.40	20.0	1.25	100	20/100
TG5258ES-X/225-270MHz	225-270	0.60	19.0	1.25	100	20/100
TG5258ES-X/230-240MHz	230-240	0.40	23.0	1.20	100	20/100
TG5258ES-X/235-255MHz	235-255	0.40	20.0	1.25	100	20/100
TG5258ES-X/260-270MHz	260-270	0.30	23.0	1.20	100	20/100
TG5258ES-X/260-330MHz	260-330	0.60	18.0	1.30	100	20/100

**Reflected power 100W size diagram**



The reflected power of this figure is 100W, the specifications are the same as the table, model  
**TG5258ES-X-100/XXX-XXXMHz**

### Instructions:

- 1, the isolator connector can be selected SMA, N, male and female head can be used with the user;
- 2, the reflection power is commonly used 20W and 100W options, you can also configure the total reflection power according to user requirements;
- 3, only some common frequencies in the table, can be produced according to the user's requirements;
- 4, if you do not find what you are looking for, please contact us!