

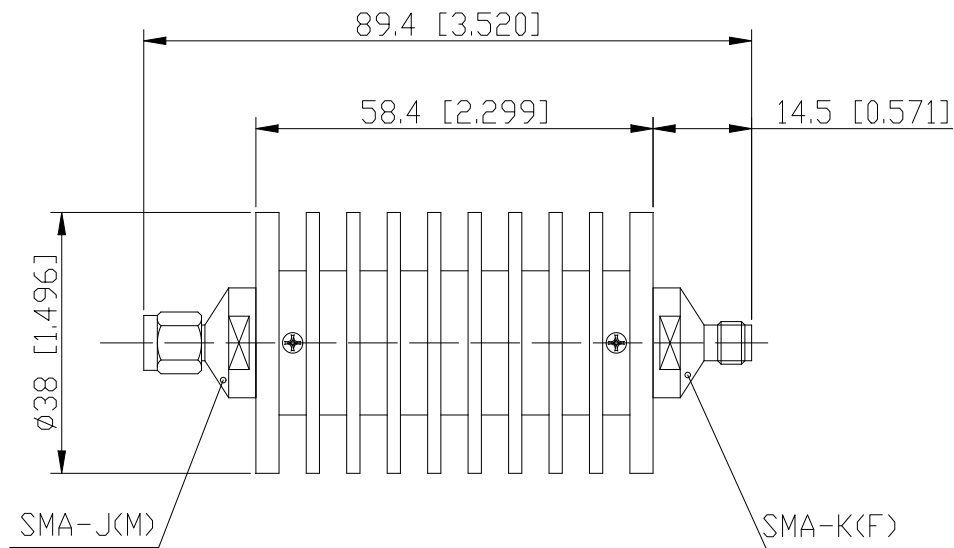
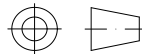


Coaxial Fixed Attenuator

Features and Electrical specifications:

Model	RFTXX-30RA3858-SMA-18 (XX=Attenuator Value)
Frequency Range	DC~18.0GHz
VSWR	1.40 Max
Power	30 W
Impedance	50 Ω
Attenuation	3, 6, 10, 20, 30, 40dB
Attenuation Tolerance	-1.5dB/+2.0dB
Connector	SMA-J(M)/SMA-K(F)
Dimension	Φ38.0*89.4mm
Operating Temperature	-55 ~ +125°C (See de Power De-rating)
Weight	About 250 g
ROHS Compliant	Yes

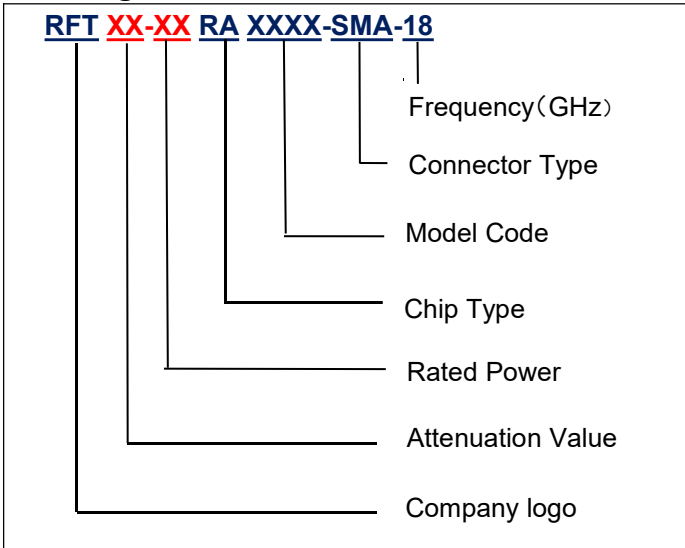
Outline Drawing (Unit: mm/inch):



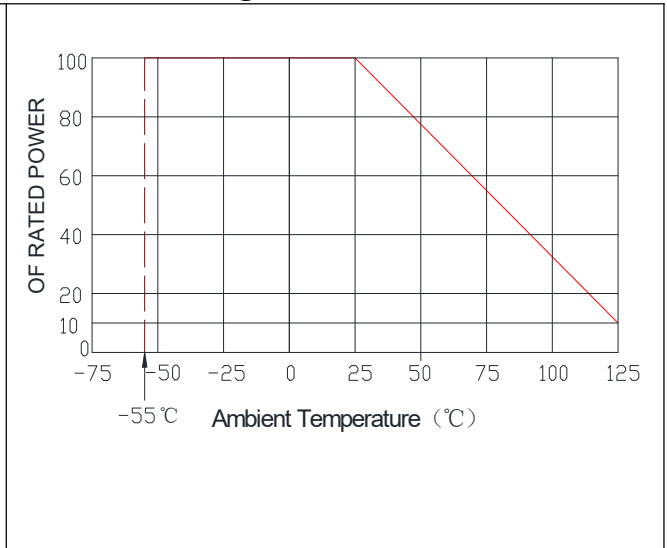
The connector could be SMA, N MM or FF ,
or any two can be freely mixed and matched



Naming rules:

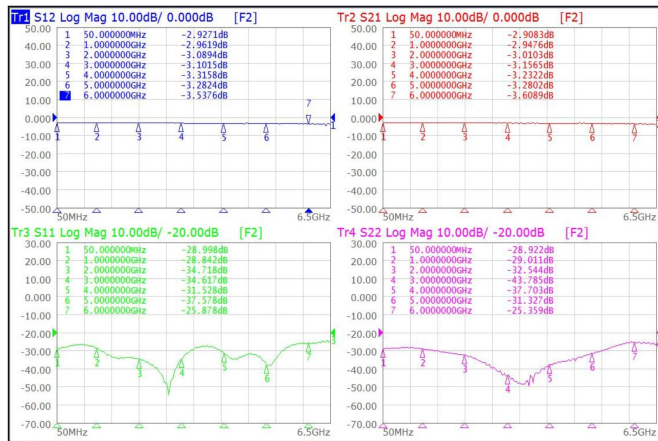


Power De-rating:

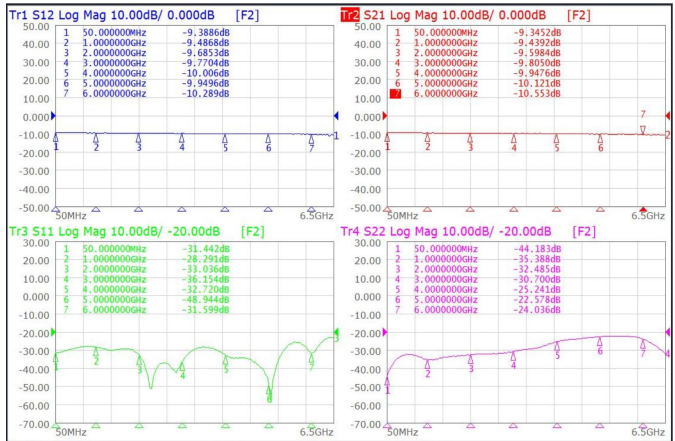


Graph:

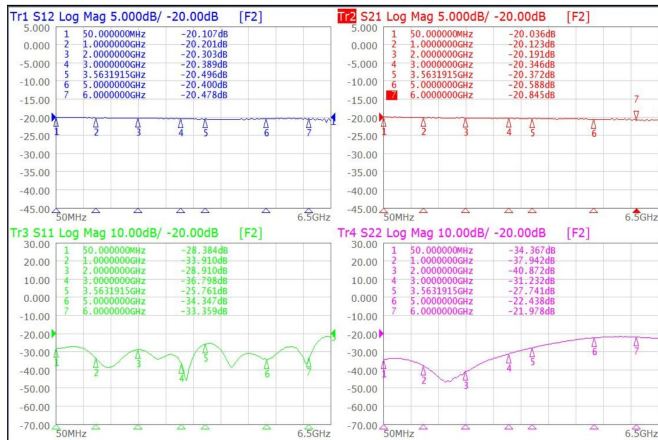
3dB



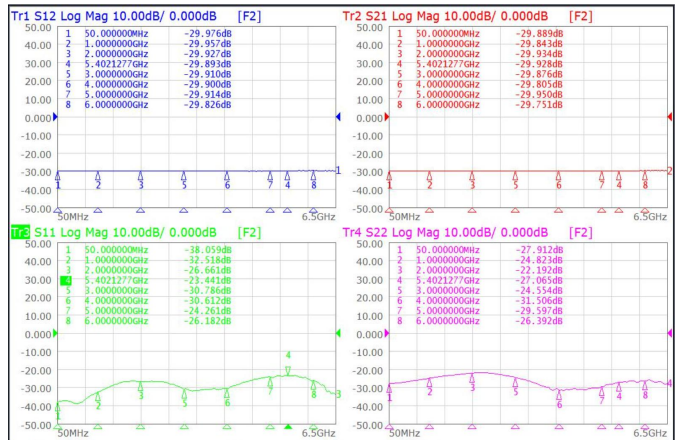
10dB



20dB

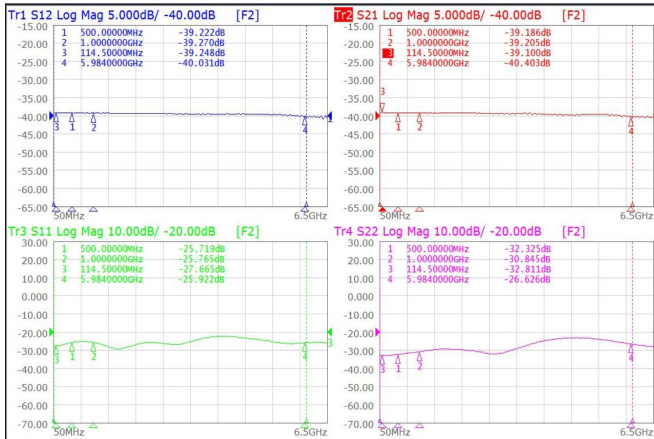


30dB

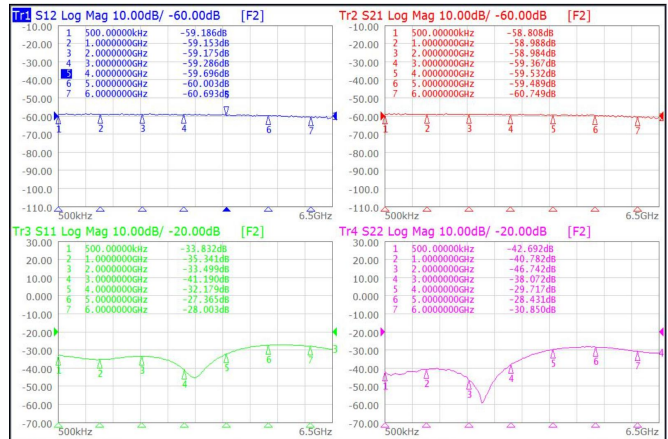




40dB



60dB



Use attention:

- 1、 Dimensions Tolerance $\pm 3\%$;
- 2、 If necessary, the product shall be air-cooled for auxiliary heat dissipation ;
- 3、 Custom designs available of other special coaxial fixed attenuator ;
- 4、 Pay attention to the direction of the product during use and strictly prohibit reverse connection.