

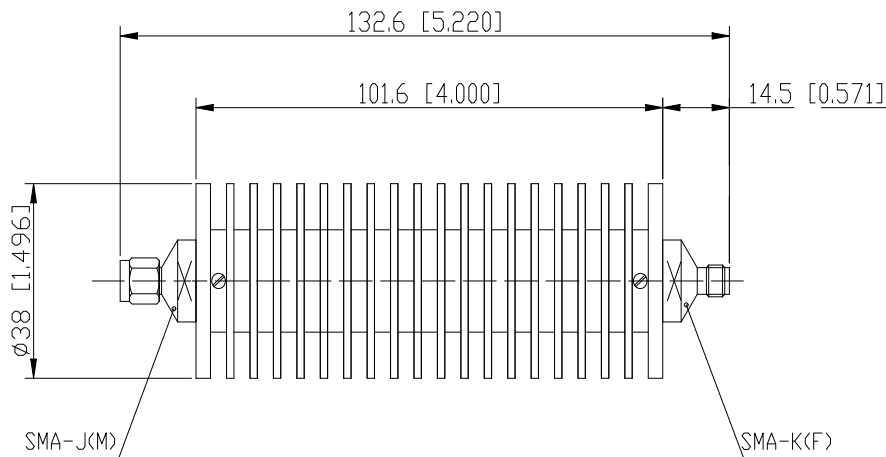


Coaxial Fixed Attenuator

Features and Electrical specifications:

| | |
|-----------------------|---|
| Model | RFTXX-50RA3810-SMA-18 (XX=Attenuator Value) |
| Frequency Range | DC~18.0GHz |
| VSWR | 1.40Max |
| Power | 50 W |
| Impedance | 50 Ω |
| Attenuation | 3、6、10、20、30、40dB |
| Attenuation Tolerance | -1.5dB/+2.5dB |
| Connector | SMA-J(M)/SMA-K(F) |
| Dimension | $\Phi 38 \times 132.6$ mm |
| Operating Temperature | -55 ~ +125°C (See de Power De-rating) |
| Weight | About 280 g |
| ROHS Compliant | Yes |

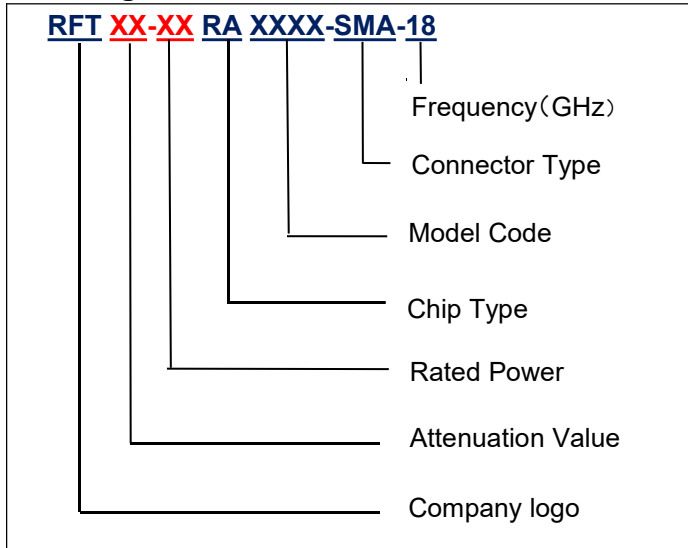
Outline Drawing (Unit: mm/inch):



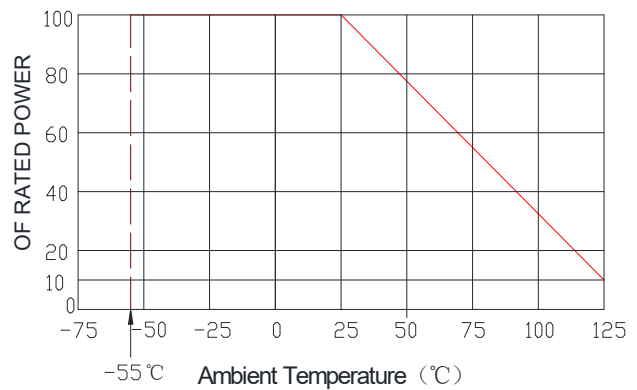
The connector could be SMA, N MM or FF ,
or any two can be freely mixed and matched



Naming rules:



Power De-rating:



Use attention:

- 1、 Dimensions Tolerance $\pm 3\%$;
- 2、 If necessary, the product shall be air-cooled for auxiliary heat dissipation ;
- 3、 Custom designs available of other special coaxial fixed attenuator ;
- 4、 Pay attention to the direction of the product during use and strictly prohibit reverse connection.