

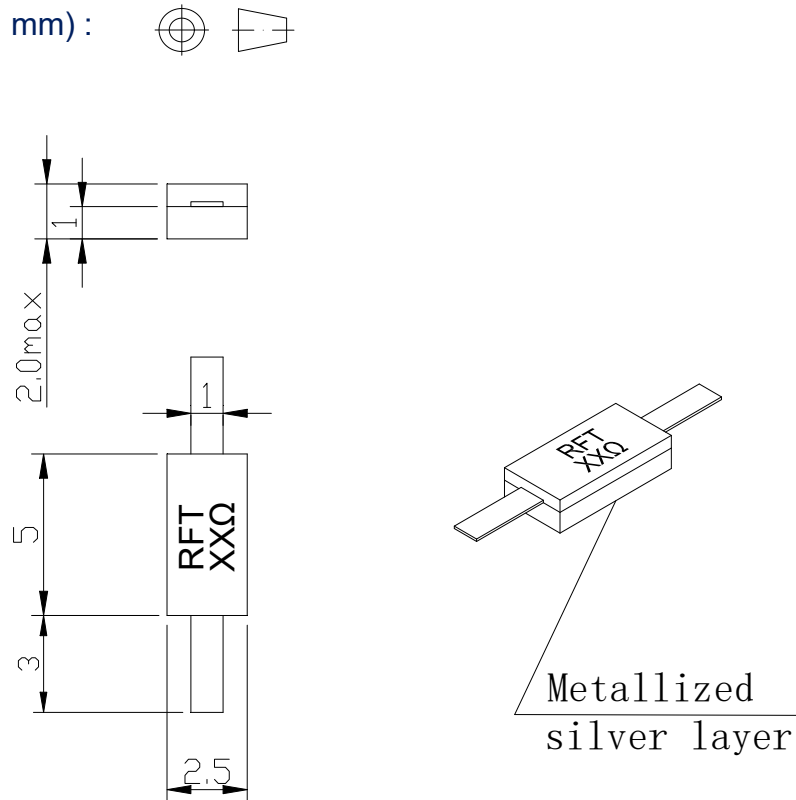


## Leaded Resistor

### Features and Electrical specifications:

|                         |  |
|-------------------------|--|
| Model                   | RFTXX-10RM2550                         |
| Power                   | 10 W                                   |
| Resistance              | XX Ω~ (10-3000Ω Customizable)          |
| Resistance Tolerance    | ±5%                                    |
| Capacitance             | 1.8 PF@100Ω                            |
| Temperature Coefficient | <150ppm/°C                             |
| Substrate               | BeO                                    |
| Cover                   | AL <sub>2</sub> O <sub>3</sub>         |
| Lead                    | 99.99% pure silver                     |
| Resistive Element       | Thick Film                             |
| Operating Temperature   | -55 to +150°C (See de Power De-rating) |

Outline Drawing (Unit: mm) :



The length of lead wire can meet the customer's requirements

**RFTYT Technology Co., LTD.**

<http://www.rftyt.com>

E-mail: [jackson@rftyt.com](mailto:jackson@rftyt.com)

[zqc7708@rftyt.com](mailto:zqc7708@rftyt.com)

TEL: +86-13088268828

FAX: +86-816-2846565

218# Wenwu Middle Road, Jinkai District, Mianyang, Sichuan Province China

**Ready For Tackling Your Trouble**



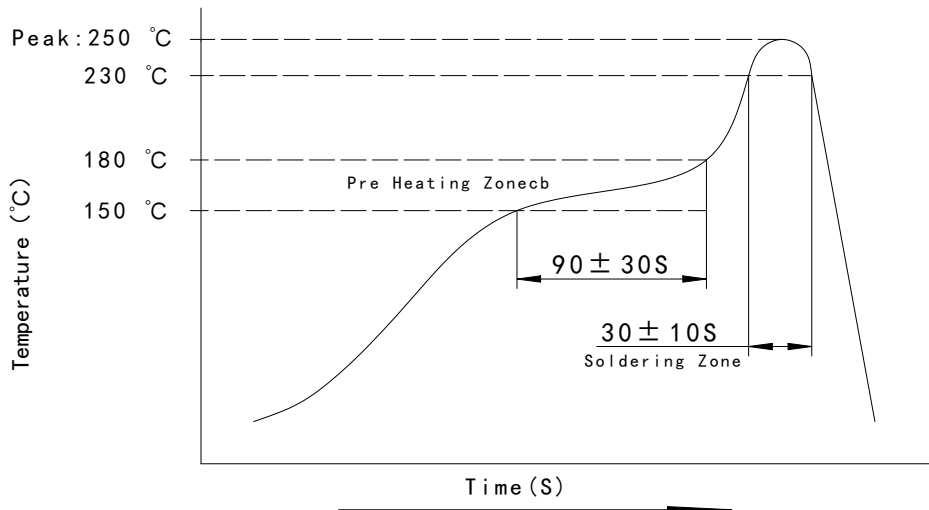
Suggested Stress Relief Methods:



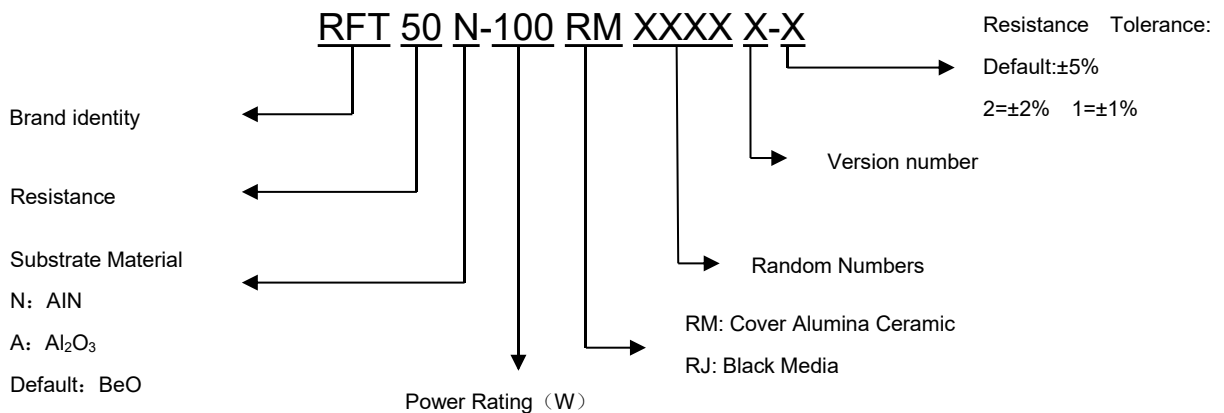
Power De-rating:



Reflow Profile:



P/N Designation:





#### Use attention:

- After the storage period of newly purchased components exceeds 6 months, attention should be paid to weldability before use. Storage is recommended for storage after vacuum packaging.
- Forming a small loop in the tab will act as a strain relief as the heat is dissipated.
- The best heat conduction is required on the ground surface.
- Manual welding lead out should be used at or less than 350 degrees of constant temperature solder iron, welding time controlled in 5 seconds.
- In order to satisfy the drawings, it is necessary to install a large enough radiator. The metal surface and radiator need to be coated with a very thin layer of thermal conductive silicone grease.
- If necessary, add air cooling or water cooling.

#### Explain:

- Custom designs available RF Attenuators and RF Resistors and RF Terminations.