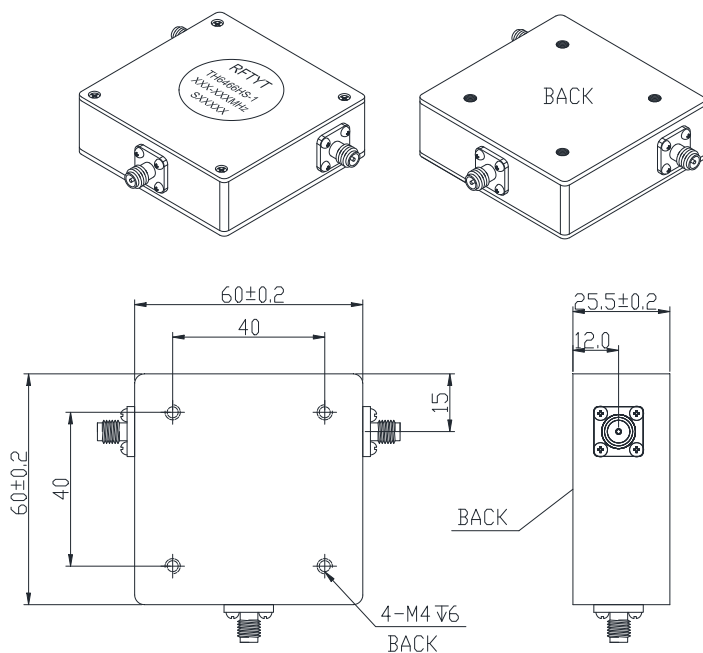
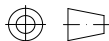


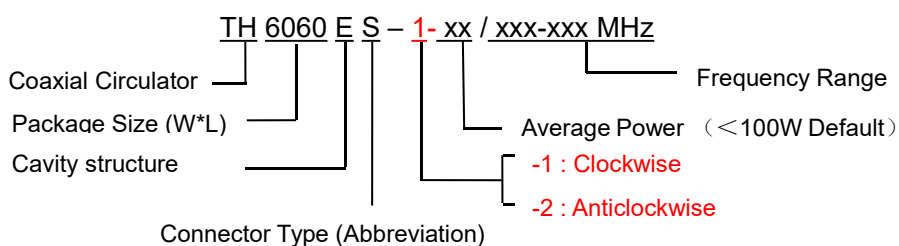
40 to 400MHz Coaxial Circulator

TH6060ES SMA Type

Outline Drawing (mm):



Order Examples:



Features:

- ◇ Good temperature stability
- ◇ Withstand high power
- ◇ RoHS compliant
- ◇ Weight : \approx 340 g

Material list:

- ◇ Shell: industrial pure iron nickel plated
- ◇ Inner conductor: silver plated brass
- ◇ Connector housing: gold plated brass

Application:

- ◇ Rf amplifier final stage, protect the amplifier
- ◇ Common transceiver antenna
- ◇ Digital communication
- ◇ Satellite communication
- ◇ Ionospheric scattering communication
- ◇ Mobile communication



Connector Type:

SMA Type Connector Options				N Type Connector Options			
Port 1	Port 2	Port 3	Abbreviation	Port 1	Port 2	Port 3	Abbreviation
K	K	K	S	K	K	K	N
K	J	J	SKJJ	K	J	J	NKJJ
J	K	J	SJKJ	J	K	J	NJKJ
K	K	J	SKKJ	K	K	J	NKKJ
J	J	J	SJ	J	J	J	NJ

Basic Specifications :

Impedance	50 Ω
Forward Power	100W
Connector Type	SMA-K
Size(mm)	60.0*60.0*25.5
Operating Temp	-10~+70 °C
Storage temperature	-50~+90 °C

Specifications :

Model No. (X=1: →Clockwise) (X=2: ←Anticlockwise)	Freq. Range MHz	IL. dB (max)	Isolation dB (min)	VSWR (max)	POWER W
TH6060ES-X/45-50MHz	45-50	1.40	18.0	1.30	50
TH6060ES-X/45-55MHz	45-55	1.60	18.0	1.30	50
TH6060ES-X/47-61MHz	47-61	1.30	18.0	1.30	50
TH6060ES-X/50-75MHz	50-75	1.80	18.0	1.30	50
TH6060ES-X/55-65MHz	55-65	0.8	20.0	1.25	50
TH6060ES-X/55-75MHz	55-75	1.20	18.0	1.30	50
TH6060ES-X/60-65MHz	60-65	0.8	20.0	1.25	50
TH6060ES-X/60-80MHz	60-80	1.0	20.0	1.25	50
TH6060ES-X/65-70MHz	65-70	0.7	20.0	1.25	50
TH6060ES-X/66-72MHz	66-72	0.80	20.0	1.25	100
TH6060ES-X/68-88MHz	68-88	0.80	18.0	1.30	100
TH6060ES-X/70-85MHz	70-85	0.70	20.0	1.25	100
TH6060ES-X/70-90MHz	70-90	0.80	20.0	1.25	100
TH6060ES-X/76-100MHz	76-100	0.80	20.0	1.25	100
TH6060ES-X/80-100MHz	80-100	0.60	20.0	1.25	50
TH6060ES-X/80-120MHz	80-120	1.00	18.0	1.30	50
TH6060ES-X/85-135MHz	85-135	1.10	18.0	1.30	100
TH6060ES-X/87-108MHz	87-108	0.60	20.0	1.25	50
TH6060ES-X/88-138MHz	88-138	1.00	18.0	1.30	100
TH6060ES-X/90-100MHz	90-100	0.50	20.0	1.20	100



Model No. (X=1: →Clockwise) (X=2: ←Anticlockwise)	Freq. Range MHz	IL. dB (max)	Isolation dB (min)	VSWR (max)	POWER W
TH6060ES-X/98-103MHz	98-103	0.60	20.0	1.20	100
TH6060ES-X/100-130MHz	100-130	0.60	20.0	1.25	100
TH6060ES-X/100-140 MHz	100-140	0.80	20.0	1.25	100
TH6060ES-X/100-150 MHz	100-150	0.90	20.0	1.25	100
TH6060ES-X/108-112 MHz	108-112	0.50	23.0	1.25	100
TH6060ES-X/108-118 MHz	108-118	0.50	23.0	1.20	100
TH6060ES-X/108-137 MHz	108-137	0.65	20.0	1.25	100
TH6060ES-X/112-132 MHz	112-132	0.60	20.0	1.20	100
TH6060ES-X/116-138 MHz	116-138	0.60	20.0	1.20	100
TH6060ES-X/118-137 MHz	118-137	0.60	20.0	1.20	100
TH6060ES-X/118-161 MHz	118-161	0.65	20.0	1.25	100
TH6060ES-X/120-130 MHz	120-130	0.50	20.0	1.25	100
TH6060ES-X/130-174 MHz	130-174	0.60	20.0	1.25	100
TH6060ES-X/130-180 MHz	130-180	0.60	20.0	1.25	100
TH6060ES-X/130-190 MHz	130-190	0.70	18.0	1.25	100
TH6060ES-X/135-155 MHz	135-155	0.50	20.0	1.20	100
TH6060ES-X/135-175 MHz	135-175	0.65	20.0	1.25	100
TH6060ES-X/135-205 MHz	135-205	0.80	18.0	1.20	100
TH6060ES-X/136-174 MHz	136-174	0.50	20.0	1.25	100
TH6060ES-X/140-148 MHz	140-148	0.60	20.0	1.25	100
TH6060ES-X/148-174 MHz	148-174	0.50	20.0	1.15	100
TH6060ES-X/150-170 MHz	150-170	0.40	20.0	1.20	100
TH6060ES-X/150-200 MHz	150-200	0.50	20.0	1.25	100
TH6060ES-X/150-225 MHz	150-225	0.60	18.0	1.30	100
TH6060ES-X/153-157 MHz	153-157	0.40	20.0	1.25	100
TH6060ES-X/157-159 MHz	157-159	0.40	20.0	1.25	100
TH6060ES-X/160-170 MHz	160-170	0.50	20.0	1.25	100
TH6060ES-X/165-175 MHz	165-175	0.50	20.0	1.25	100



Model No. (X=1: →Clockwise) (X=2: ←Anticlockwise)	Freq. Range MHz	IL. dB (max)	Isolation dB (min)	VSWR (max)	POWER W
TH6060ES-X/166-172 MHz	166-172	0.60	20.0	1.25	100
TH6060ES-X/170-200 MHz	170-200	0.50	20.0	1.25	100
TH6060ES-X/170-230 MHz	170-230	0.60	20.0	1.25	100
TH6060ES-X/174-230 MHz	174-230	0.60	20.0	1.25	50
TH6060ES-X/175-215 MHz	175-215	0.60	20.0	1.25	50
TH6060ES-X/180-220 MHz	180-220	0.50	20.0	1.25	50
TH6060ES-X/180-230 MHz	180-230	0.50	20.0	1.25	50
TH6060ES-X/180-240 MHz	180-240	0.50	20.0	1.25	50
TH6060ES-X/200-270 MHz	200-270	0.70	18.0	1.30	50
TH6060ES-X/200-300 MHz	200-300	0.80	18.0	1.30	50
TH6060ES-X/225-400 MHz	225-400	0.80	18.0	1.30	50

Instructions:

- 1, The circulator connector can be selected SMA, N, male and female head can be used with the user;
- 2, The circulator only provides through power, indicating that the transmission to the antenna and the antenna to The receiving are through power;
- 3, Only some common frequencies in the table, can be produced according to the user's requirements;
- 4, If you do not find what you are looking for, please contact us!